

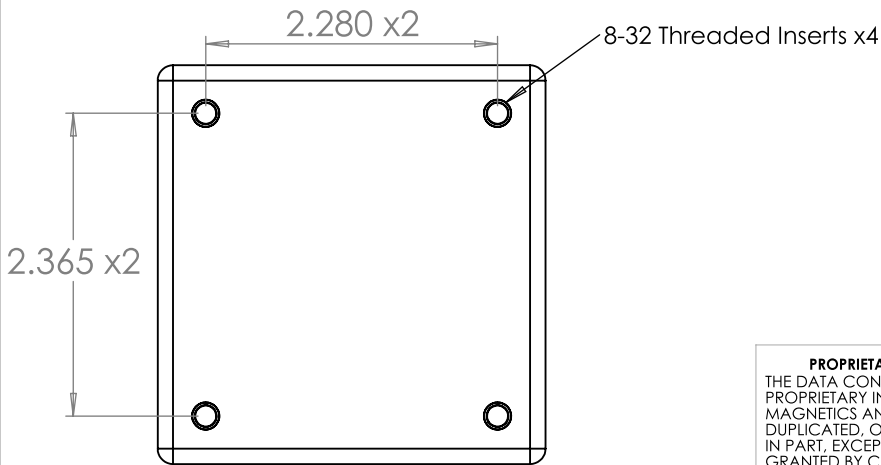
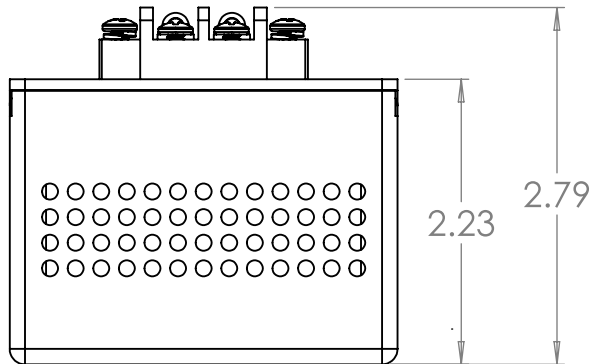
Electrical specifications per channel:

- Current Rating: 20A
- L = 12.31μH nom. @100kHz
- L = 11.86μH nom. @1MHz
- DCR: 20.8mΩ nominal
- Impedance: >10kΩ @13.56MHz
- SRF: 13.56MHz ±0.5MHz
- Isolation: 1.2kVAC channel to channel
- Isolation: 3.5kVDC channel to channel
- Isolation: 6kVDC channel to chassis

Impedance and SRF measured using a 2-port series through method while the enclosure is grounded

Mechanical Specifications:

- All materials rated for 130°C
- Enclosure Material: AL 5052; alodine finish
- Labeled with WCM P/N, revision and lot number



UNLESS OTHERWISE SPECIFIED  
DIMENSIONS ARE IN INCH TOLERANCES  
DECIMALS

- X.X ± 0.05 in
- X.XX ± 0.02 in
- X.XXX ± 0.005 in

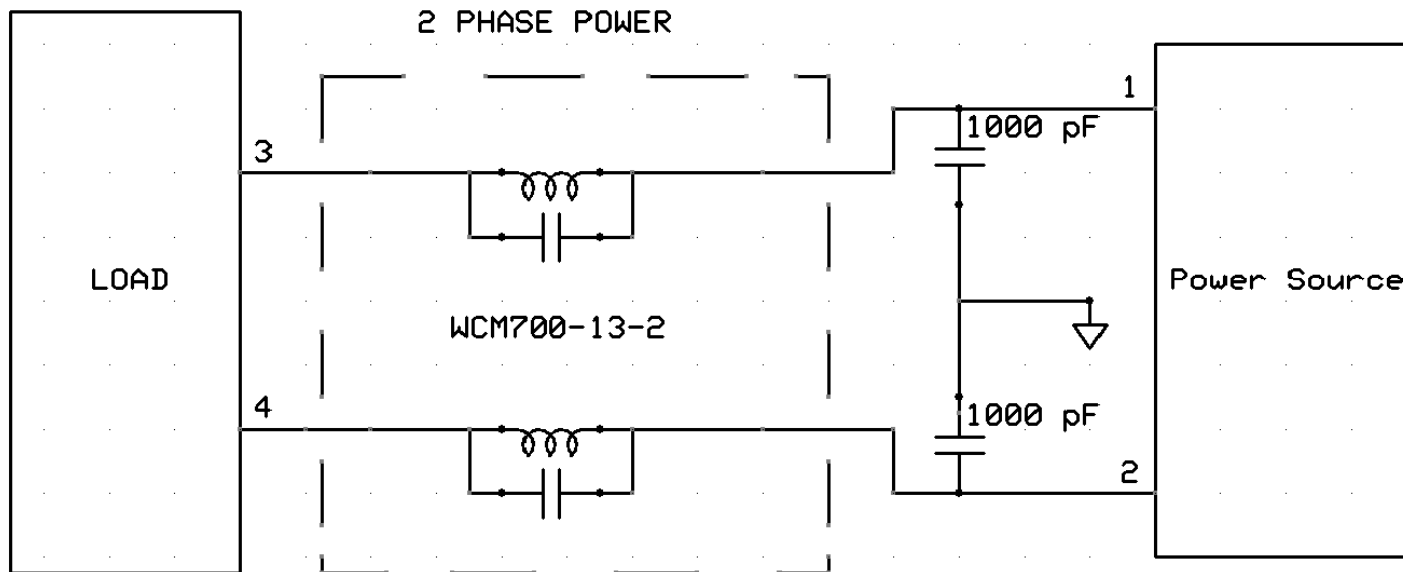
DRAWING NOT TO SCALE UNLESS NOTED

**PROPRIETARY AND CONFIDENTIAL**  
THE DATA CONTAINED HEREIN CONSTITUTES  
PROPRIETARY INFORMATION OF WEST COAST  
MAGNETICS AND SHALL NOT BE USED,  
DUPLICATED, OR DISCLOSED IN WHOLE OR  
IN PART, EXCEPT FOR RIGHTS EXPRESSLY  
GRANTED BY CONTRACT, WITHOUT THE PRIOR  
WRITTEN AUTHORIZATION OF WEST COAST  
MAGNETICS.



**WEST COAST MAGNETICS**  
4848 FRONTIER WAY, STE. 100  
STOCKTON, CA 95215  
800-628-1123

CUSTOMER WCM		DESCRIPTION 2-Channel 13.56MHz Filter	
PART NUMBER WCM700-13-2-20A		REV 3	
RELEASED BY JC	DATE 10/09/18	SHEET 1 OF 2	



Schematic of one recommended application for WCM700-13-2-20A

UNLESS OTHERWISE SPECIFIED  
DIMENSIONS ARE IN INCH TOLERANCES  
DECIMALS

X.X ± 0.05 in  
X.XX ± 0.02 in  
X.XXX ± 0.005 in

DRAWING NOT TO SCALE UNLESS NOTED

**PROPRIETARY AND CONFIDENTIAL**  
THE DATA CONTAINED HEREIN CONSTITUTES  
PROPRIETARY INFORMATION OF WEST COAST  
MAGNETICS AND SHALL NOT BE USED,  
DUPLICATED, OR DISCLOSED IN WHOLE OR  
IN PART, EXCEPT FOR RIGHTS EXPRESSLY  
GRANTED BY CONTRACT, WITHOUT THE PRIOR  
WRITTEN AUTHORIZATION OF WEST COAST  
MAGNETICS.



**WEST COAST MAGNETICS**  
4848 FRONTIER WAY, STE. 100  
STOCKTON, CA 95215  
800-628-1123

CUSTOMER WCM	DESCRIPTION 2-Channel 13.56MHz Filter
PART NUMBER WCM700-13-2-20A	REV 3
RELEASED BY JC	DATE 10/09/18

SHEET 2 OF 2