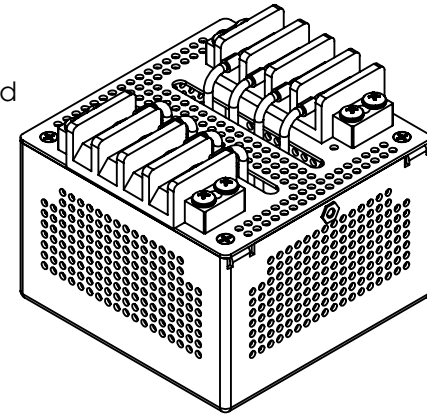
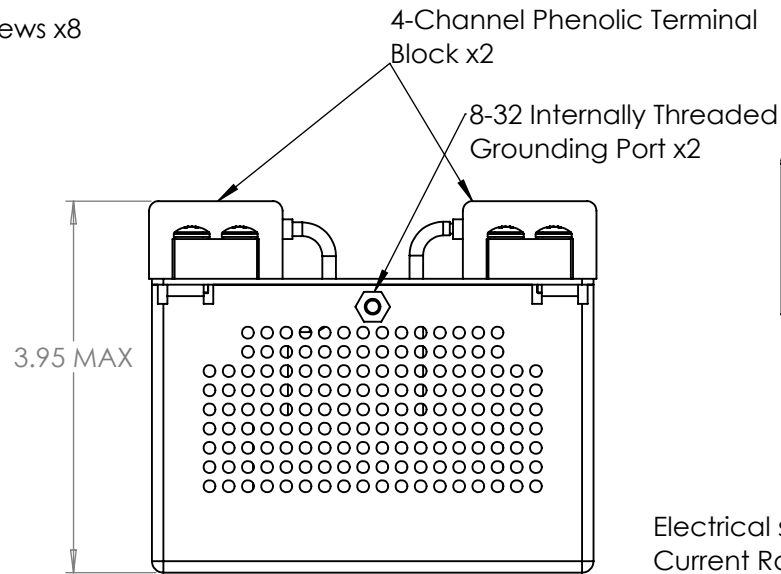
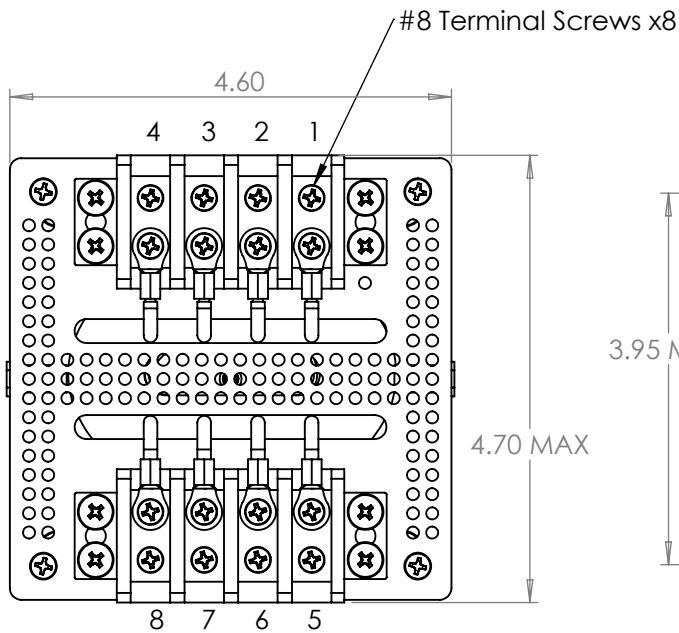


REV	Change	BY	DATE
-	Initial Release	ZT	05/10/22



Electrical specifications per channel:

Current Rating: 20A

L = 6.12μH nom. @100kHz

L = 5.88μH nom. @1MHz

DCR: 15.6mΩ nominal

Impedance: >4.5kΩ @13.56MHz

SRF: 13.56MHz ±0.5MHz

Isolation: 2.5kVAC channel to channel

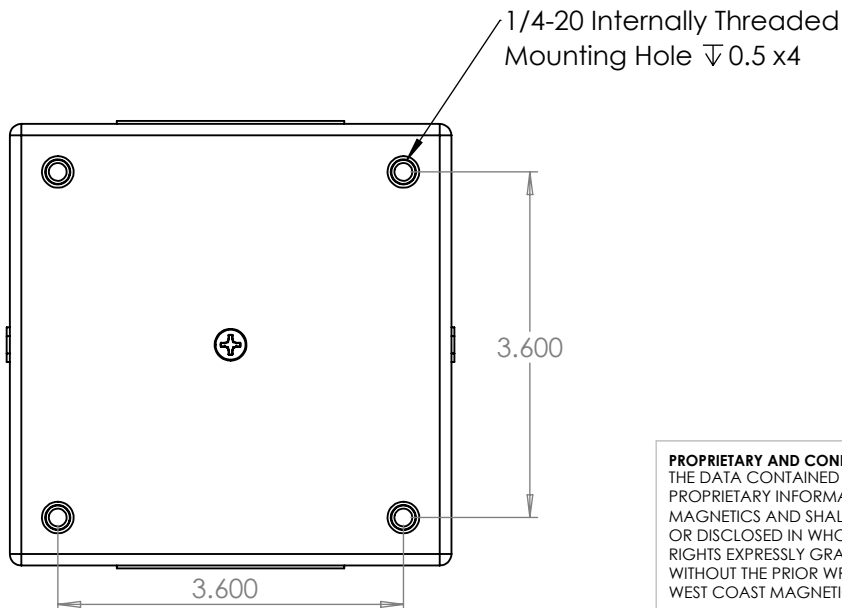
Isolation: 3.5kVDC channel to channel

Isolation: 6kVDC channel to chassis

Mechanical Specifications:

All materials rated for 130°C

Enclosure Material: AL 5052; alodine finish



PROPRIETARY AND CONFIDENTIAL
 THE DATA CONTAINED HEREIN CONSTITUTES PROPRIETARY INFORMATION OF WEST COAST MAGNETICS AND SHALL NOT BE USED, DUPLICATED, OR DISCLOSED IN WHOLE OR IN PART, EXCEPT FOR RIGHTS EXPRESSLY GRANTED BY CONTRACT, WITHOUT THE PRIOR WRITTEN AUTHORIZATION OF WEST COAST MAGNETICS.

Pat.: <https://www.wcmagnetics.com/Patents/>

UNLESS OTHERWISE SPECIFIED
 DIMENSIONS ARE IN INCH TOLERANCES
 DECIMALS

X. ± 0.10 in
 X.X ± 0.05 in
 X.XX ± 0.02 in
 X.XXX ± 0.005 in

DRAWING NOT TO SCALE UNLESS NOTED



WEST COAST MAGNETICS

4848 FRONTIER WAY, STE. 100
 STOCKTON, CA 95215
 800-628-1123

CUSTOMER
 WCM

DESCRIPTION
 4 Channel 13.56MHz Filter

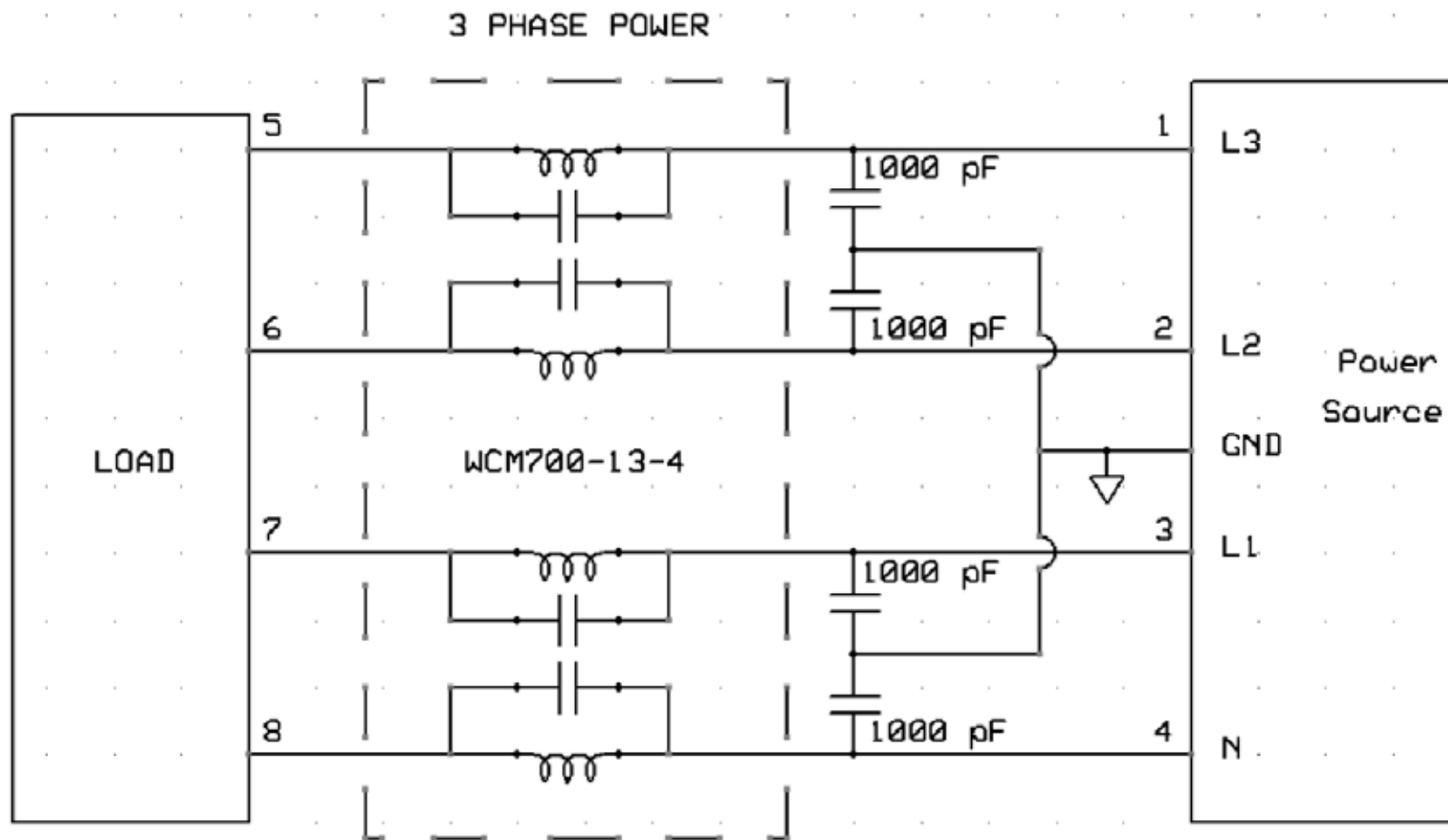
PART NUMBER
 WCM700-13-4-20A

REV
 -

RELEASED BY
 ZT

DATE
 05/10/22

SHEET 1 OF 2



Schematic of one recommended application for WCM700-13-4-20A

PROPRIETARY AND CONFIDENTIAL
 THE DATA CONTAINED HEREIN CONSTITUTES
 PROPRIETARY INFORMATION OF WEST COAST
 MAGNETICS AND SHALL NOT BE USED, DUPLICATED,
 OR DISCLOSED IN WHOLE OR IN PART, EXCEPT FOR
 RIGHTS EXPRESSLY GRANTED BY CONTRACT,
 WITHOUT THE PRIOR WRITTEN AUTHORIZATION OF
 WEST COAST MAGNETICS.

Pat.: <https://www.wcmagnetics.com/Patents/>

UNLESS OTHERWISE SPECIFIED
 DIMENSIONS ARE IN INCH TOLERANCES
 DECIMALS

X. ± 0.10 in
 X.X ± 0.05 in
 X.XX ± 0.02 in
 X.XXX ± 0.005 in

DRAWING NOT TO SCALE UNLESS NOTED

WCM WEST COAST
 MAGNETICS

WEST COAST MAGNETICS

4848 FRONTIER WAY, STE. 100
 STOCKTON, CA 95215
 800-628-1123

CUSTOMER WCM	DESCRIPTION 4 Channel 13.56MHz Filter
-----------------	--

PART NUMBER WCM700-13-4-20A	REV -
--------------------------------	----------

RELEASED BY ZT	DATE 05/10/22	SHEET 2 OF 2
-------------------	------------------	--------------