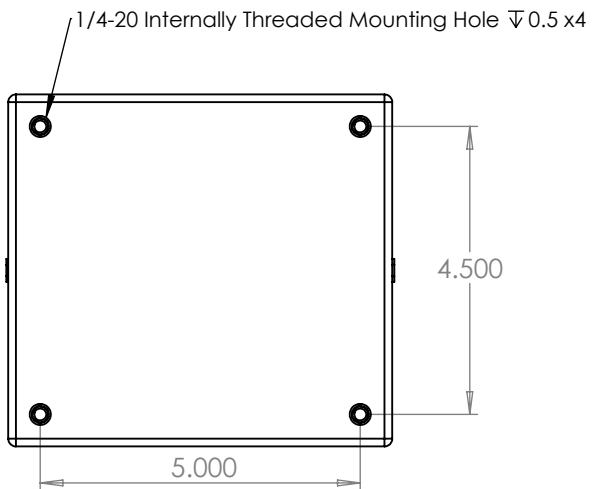
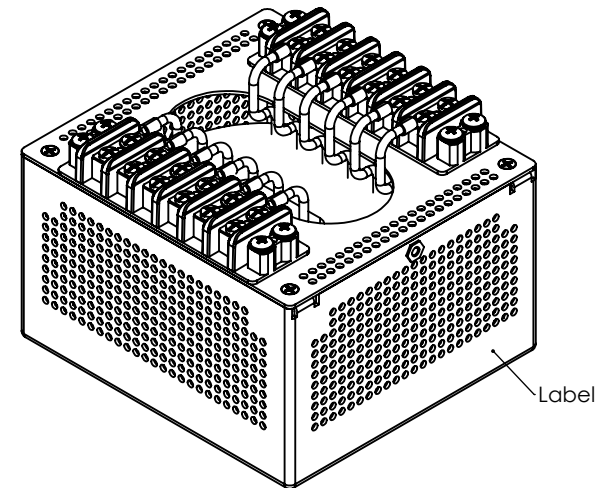
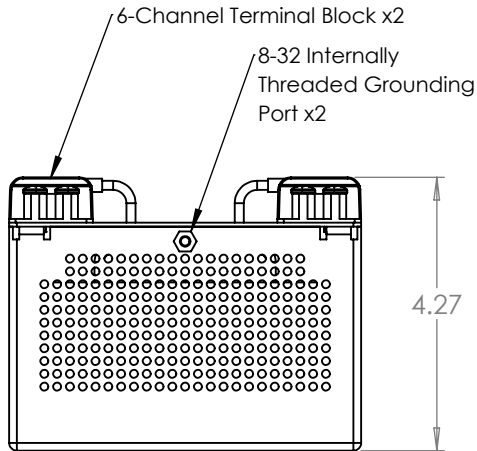
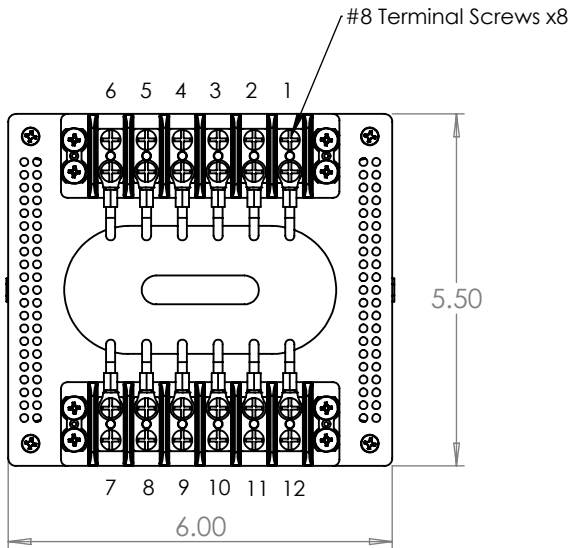
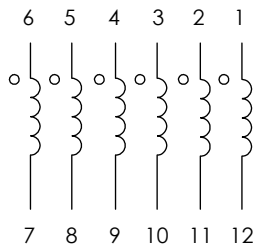


REV	Change	BY	DATE
-	Initial Release	JC	11/08/21
1	Added page 1 schematic & label location/requirement.	MI	02/04/22



SCHEMATIC



Electrical specifications per channel:
 Current Rating: 30A
 $L = 7.33\mu\text{H}$ nom. @100kHz
 $L = 7.14\mu\text{H}$ nom. @1MHz
 DCR: 11.5m Ω nominal
 Impedance: >5k Ω @13.56MHz
 SRF: 13.56MHz \pm 0.5MHz
 Isolation: 2.5kVAC channel to channel
 Isolation: 3.5kVDC channel to channel
 Isolation: 6kVDC channel to chassis

Mechanical Specifications:
 All materials rated for 130°C
 Enclosure Material: AL 5052; alodine finish
 Labeled with WCM P/N, revision and date code
 Each pin labeled

PROPRIETARY AND CONFIDENTIAL
 THE DATA CONTAINED HEREIN CONSTITUTES PROPRIETARY INFORMATION OF WEST COAST MAGNETICS AND SHALL NOT BE USED, DUPLICATED, OR DISCLOSED IN WHOLE OR IN PART, EXCEPT FOR RIGHTS EXPRESSLY GRANTED BY CONTRACT, WITHOUT THE PRIOR WRITTEN AUTHORIZATION OF WEST COAST MAGNETICS.

UNLESS OTHERWISE SPECIFIED DIMENSIONS ARE IN INCH TOLERANCES DECIMALS

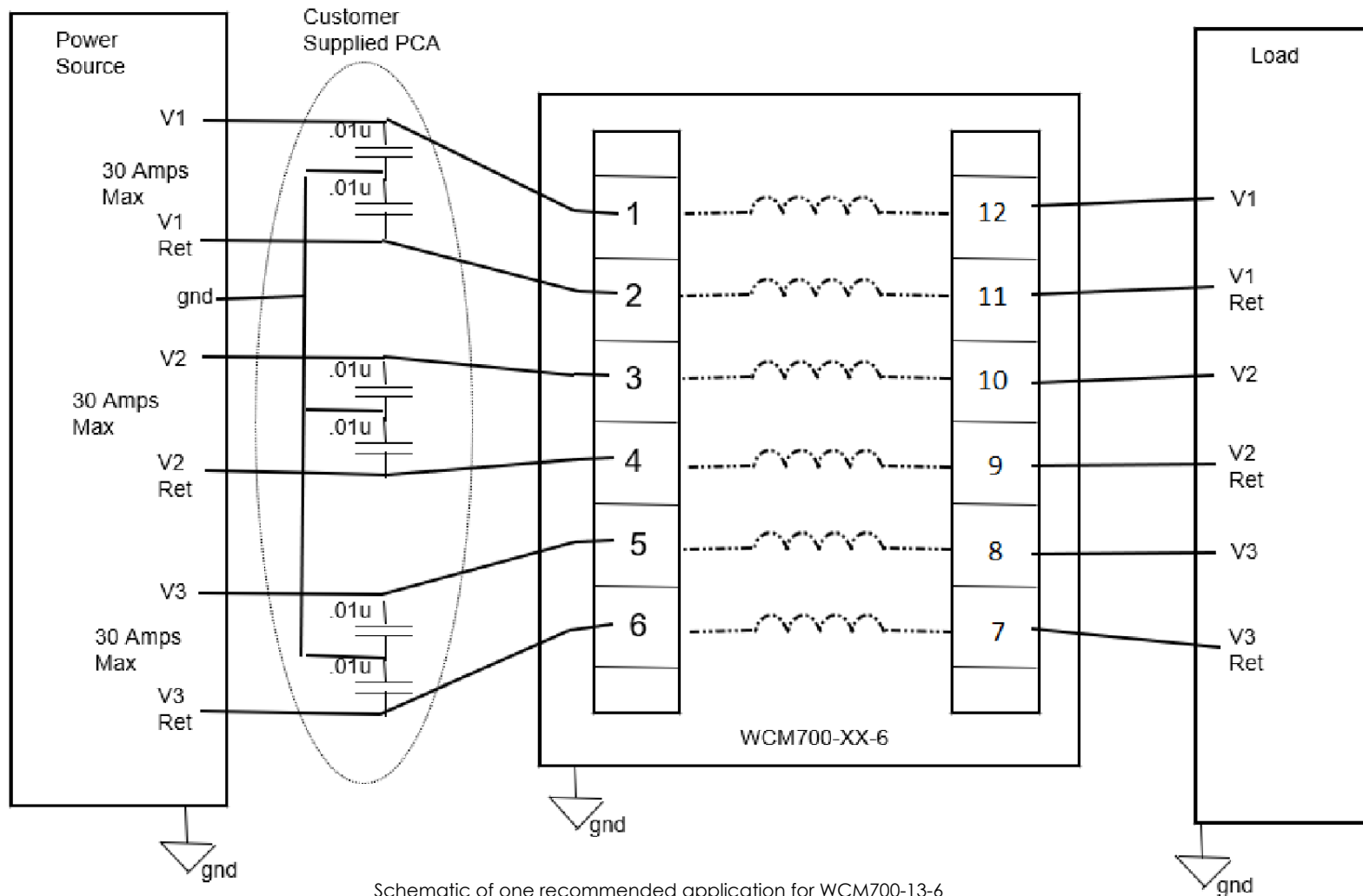
X.X \pm 0.05 in
 X.XX \pm 0.02 in
 X.XXX \pm 0.005 in

DRAWING NOT TO SCALE UNLESS NOTED



WEST COAST MAGNETICS
 4848 FRONTIER WAY, STE. 100
 STOCKTON, CA 95215
 800-628-1123

CUSTOMER WCM	DESCRIPTION 6-Channel 13.56MHz Filter
PART NUMBER WCM700-13-6-30A	REV -
RELEASED BY JC	DATE 11/08/21
SHEET 1 OF 2	



Schematic of one recommended application for WCM700-13-6

UNLESS OTHERWISE SPECIFIED
DIMENSIONS ARE IN INCH TOLERANCES
DECIMALS

X.X ± 0.05 in
X.XX ± 0.02 in
X.XXX ± 0.005 in

DRAWING NOT TO SCALE UNLESS NOTED

PROPRIETARY AND CONFIDENTIAL
THE DATA CONTAINED HEREIN CONSTITUTES
PROPRIETARY INFORMATION OF WEST COAST
MAGNETICS AND SHALL NOT BE USED,
DUPLICATED, OR DISCLOSED IN WHOLE OR
IN PART, EXCEPT FOR RIGHTS EXPRESSLY
GRANTED BY CONTRACT, WITHOUT THE PRIOR
WRITTEN AUTHORIZATION OF WEST COAST
MAGNETICS.



WEST COAST MAGNETICS
4848 FRONTIER WAY, STE. 100
STOCKTON, CA 95215
800-628-1123

CUSTOMER WCM	DESCRIPTION 6-Channel 13.56MHz Filter
PART NUMBER WCM700-13-6-30A	REV -
RELEASED BY JC	DATE 11/08/21

SHEET 2 OF 2