

WCM803 Series

50/60 Hz Transformers

Product Description

West Coast Magnetic's 803 series provides cost effective, compact, and efficient single phase power transformers. This series features an RMS power rating up to 1.5 kVA in an easy to mount chassis configuration. Safety agency certification from UL/CSA/VDE is available on request. Quick turns on custom requirements make these ideal for applications when stock catalog transformers are not available.

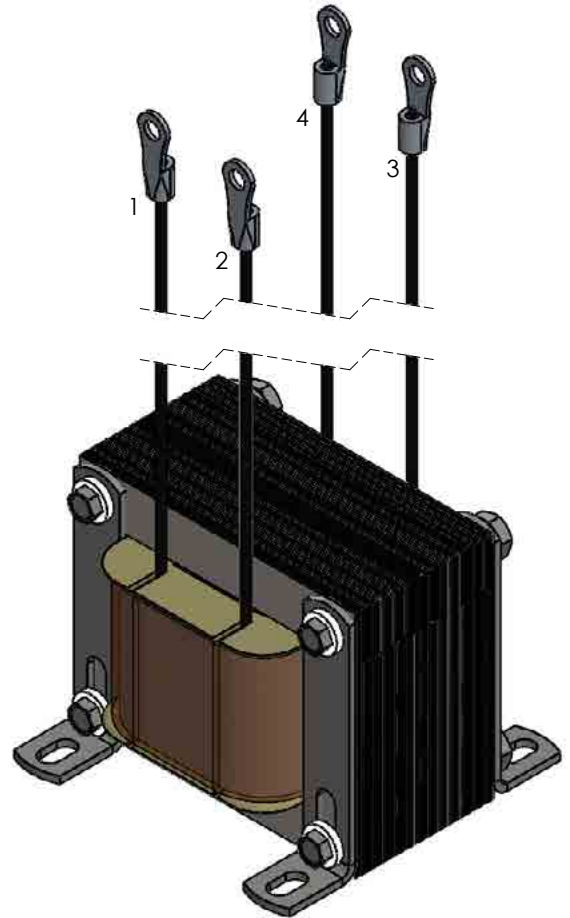
Features and Benefits

Power to 1.5 kVA, 2500 Vac hypot, thermal rating of 130 C.

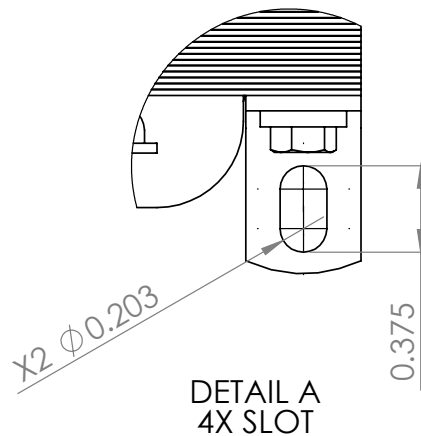
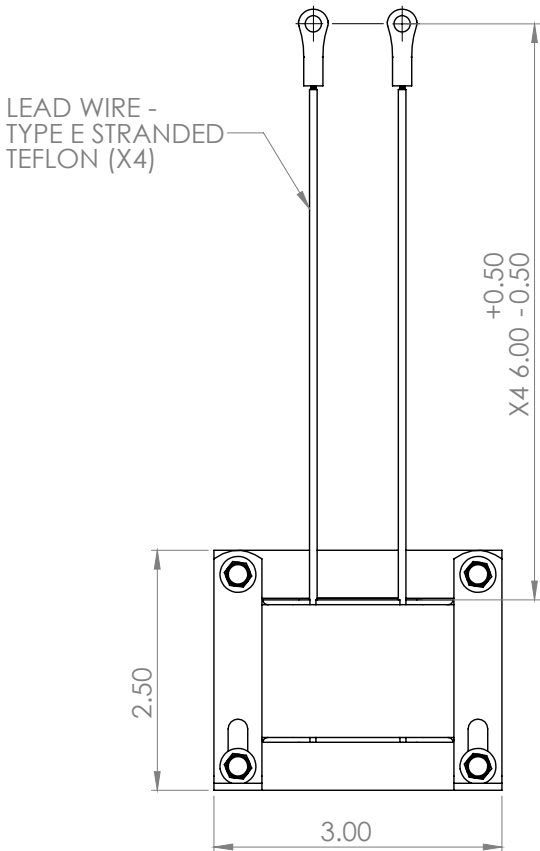
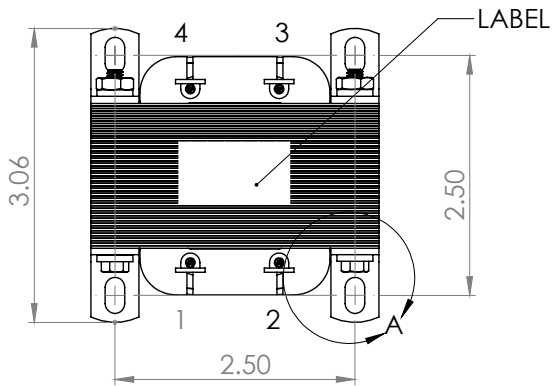
Design Constants

Part Number	Weight (kg)	VA Rating
WCM803-01	1.1	83
WCM803-02	1.5	119
WCM803-03	2.1	183
WCM803-04	3.0	261
WCM803-05	3.6	348
WCM803-06	4.5	448
WCM803-07	5.6	599
WCM803-08	7.7	820
WCM803-09	10.0	1170
WCM803-10	12.0	1460

Note:
VA rating based on 60 Hz operation



Schematics
WCM803 Series



Part Number	L	W	H	F	G	ϕ
WCM803-01	$\frac{3.00}{7.62}$	$\frac{2.15}{5.46}$	$\frac{2.50}{6.35}$	$\frac{2.00}{5.08}$	$\frac{2.50}{6.35}$	$\frac{.203}{.521}$
WCM803-02	$\frac{3.00}{7.62}$	$\frac{2.65}{6.73}$	$\frac{2.50}{6.35}$	$\frac{2.50}{6.35}$	$\frac{2.50}{6.35}$	$\frac{.203}{.521}$
WCM803-03	$\frac{3.75}{9.53}$	$\frac{2.69}{6.83}$	$\frac{3.13}{7.95}$	$\frac{2.25}{5.72}$	$\frac{3.13}{7.95}$	$\frac{.203}{.521}$
WCM803-04	$\frac{3.75}{9.53}$	$\frac{3.31}{8.41}$	$\frac{3.13}{7.95}$	$\frac{2.88}{7.32}$	$\frac{3.13}{7.95}$	$\frac{.203}{.521}$
WCM803-05	$\frac{4.50}{11.43}$	$\frac{3.23}{8.20}$	$\frac{3.75}{9.53}$	$\frac{2.50}{6.35}$	$\frac{3.75}{9.53}$	$\frac{.203}{.521}$
WCM803-06	$\frac{4.50}{11.43}$	$\frac{3.73}{4.47}$	$\frac{3.75}{9.53}$	$\frac{3.00}{7.62}$	$\frac{3.75}{9.53}$	$\frac{.203}{.521}$
WCM803-07	$\frac{5.25}{13.34}$	$\frac{3.75}{9.53}$	$\frac{4.38}{11.13}$	$\frac{2.88}{7.32}$	$\frac{4.38}{11.13}$	$\frac{.281}{.714}$
WCM803-08	$\frac{5.25}{13.34}$	$\frac{4.50}{11.43}$	$\frac{4.38}{11.13}$	$\frac{3.63}{9.22}$	$\frac{4.38}{11.13}$	$\frac{.281}{.714}$
WCM803-09	$\frac{6.38}{16.21}$	$\frac{4.54}{11.53}$	$\frac{5.31}{13.49}$	$\frac{3.25}{8.26}$	$\frac{5.31}{13.49}$	$\frac{.281}{.714}$
WCM803-10	$\frac{6.75}{17.15}$	$\frac{4.81}{12.22}$	$\frac{5.63}{14.30}$	$\frac{3.38}{8.58}$	$\frac{6.13}{15.57}$	$\frac{.281}{.714}$

Dimensions:
Inches
cm

Note:
All materials of construction minimum Class B 130 degrees C rated.