

WCM802 Series

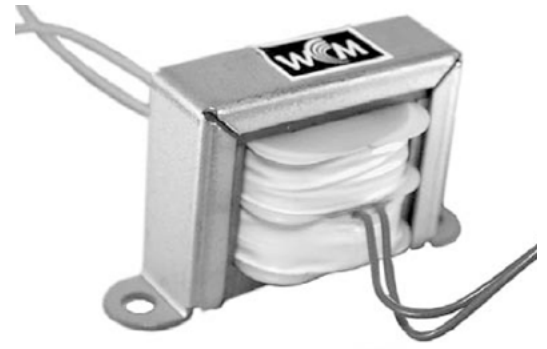
50/60 Hz Transformers

Product Description

West Coast Magnetics 50/60 Hz transformers are designed for isolated single phase power transfer at peak power levels up to 150 Watts. They feature high efficiency in a compact size. Safety agency certification from UL/CSA/VDE is available on request. Quick turns on custom requirements make these ideal for applications when stock catalog transformers are not available.

Features and Benefits

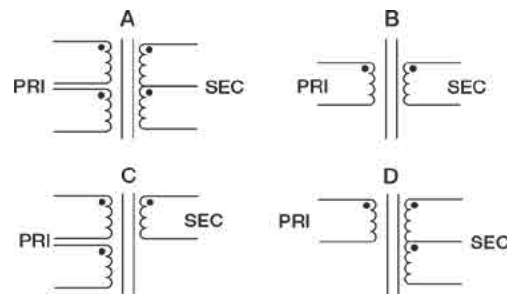
RMS power to 60 watts, over 100 watts peak power. 2500 Vac hypot, thermal rating of 130 C.



Design Constants

Part Number	Weight (gm)	VA Rating
WCM802-01	96	3.2
WCM802-02	125	4.3
WCM802-03	165	6.3
WCM802-04	206	8.0
WCM802-05	272	11
WCM802-06	326	14
WCM802-07	468	23
WCM802-08	624	31
WCM802-09	741	44
WCM802-10	925	57

Schematic Options



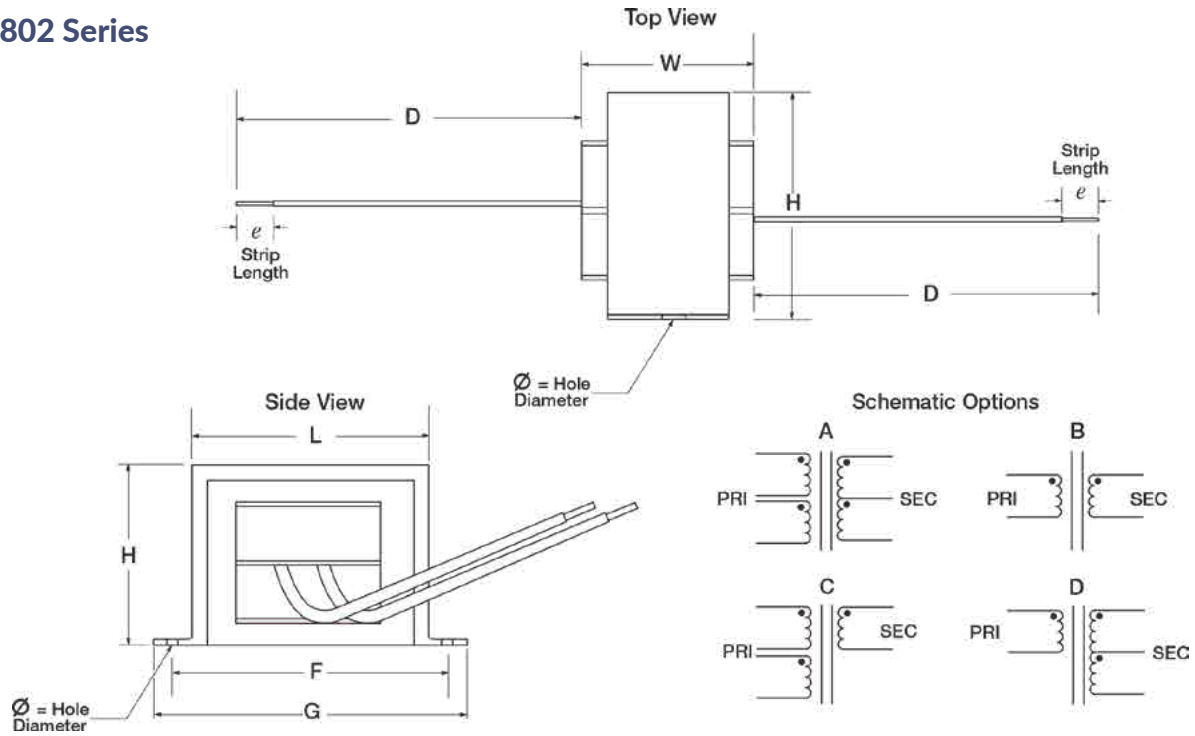
Note:

These transformers are custom. Choose a schematic and specify input and output voltage, VA Rating and operating frequency with your RFQ.



Schematics

WCM802 Series



Part Number	L	W	H	F	G	Ø	D	e	Lead Wire
WCM802-01	1.46 37.1	1.07 27.2	1.21 30.7	1.75 44.5	2.06 52.4	.187 4.7	4"	3/8	24 AWG
WCM802-02	1.46 37.1	1.20 30.5	1.21 30.7	1.75 44.5	2.06 52.4	.187 4.7	4"	3/8	24 AWG
WCM802-03	1.72 43.7	1.20 30.5	1.39 35.3	2.0 50.8	2.38 60.5	.187 4.7	5"	3/8	24 AWG
WCM802-04	1.72 43.7	1.40 37.6	1.39 35.3	2.0 50.8	2.38 60.5	.187 4.7	5"	3/8	24 AWG
WCM802-05	1.96 49.8	1.31 33.3	1.65 41.9	2.375 60.3	2.81 71.5	.187 4.7	5"	3/8	24 AWG
WCM802-06	1.96 49.8	1.45 36.8	1.65 41.9	2.375 60.3	2.81 71.5	.187 4.7	5"	3/8	24 AWG
WCM802-07	2.33 59.2	1.58 40.1	1.97 50.0	2.81 71.5	3.25 82.6	.187 4.7	6"	1/2	24 AWG
WCM802-08	2.33 59.2	1.86 47.2	1.97 50.0	2.81 71.5	3.25 82.6	.187 4.7	6"	1/2	24 AWG
WCM802-09	2.73 69.3	1.82 46.2	2.38 60.5	3.125 79.4	3.69 93.7	.187 4.7	6"	1/2	24 AWG
WCM802-10	2.73 69.3	2.21 36.2	2.38 60.5	3.125 79.4	3.69 93.7	.187 4.7	6"	1/2	24 AWG

Dimensions:

Inches
mm

Note:

Split Primary (Options A & C) functional for 115 VAC/230 VAC modes.
 Untapped Secondary (Options B & C) for full wave bridge and regulated linear outputs.
 All materials of construction minimum Class B 130 degrees C rated.