

701 series

base drive transformers

PRODUCT DESCRIPTION

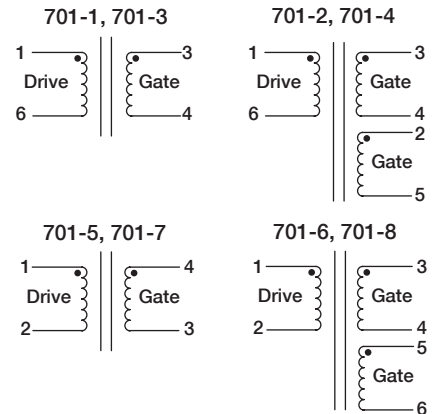
West Coast Magnetics' 701 series base drive transformers are designed to operate from 10 kHz to 500 kHz. These base drive transformers provide 3000 Vac of isolation and a winding configuration which has consistent low leakage inductance qualities. These Base Drive Transformers are available in through hole as well as surface mount packaging with tape and reel.

FEATURES & BENEFITS

SMD tape and reel – 10 kHz to 500 kHz operating range – Low leakage inductance – 3000 Vac interwinding isolation

| Product Code | Turns Ratio | Maximum ET (Volt- μ Sec) ^A | Minimum Drive Inductance (μ H) | DCR Drive ($m\Omega$) nom | DCR Gate ($m\Omega$) nom | Gate-Drive Hypot Vac |
|--------------|-------------|---|-------------------------------------|--------------------------------|-------------------------------|----------------------|
| 701-1 | 1:1 | 170 | 735 | 180 | 50 | 3000 |
| 701-2 | 1:1:1 | 170 | 735 | 180 | 100 | 3000 |
| 701-3 | 1:1:5 | 126 | 400 | 55 | 80 | 3000 |
| 701-4 | 1:1.5:1.5 | 126 | 400 | 55 | 160 | 3000 |
| 701-5 | 1:1 | 118 | 590 | 310 | 75 | 3000 |
| 701-6 | 1:1:1 | 118 | 590 | 310 | 150 | 3000 |
| 701-7 | 1:1.5 | 118 | 590 | 300 | 210 | 3000 |
| 701-8 | 1:1.5:1.5 | 118 | 590 | 300 | 420 | 3000 |

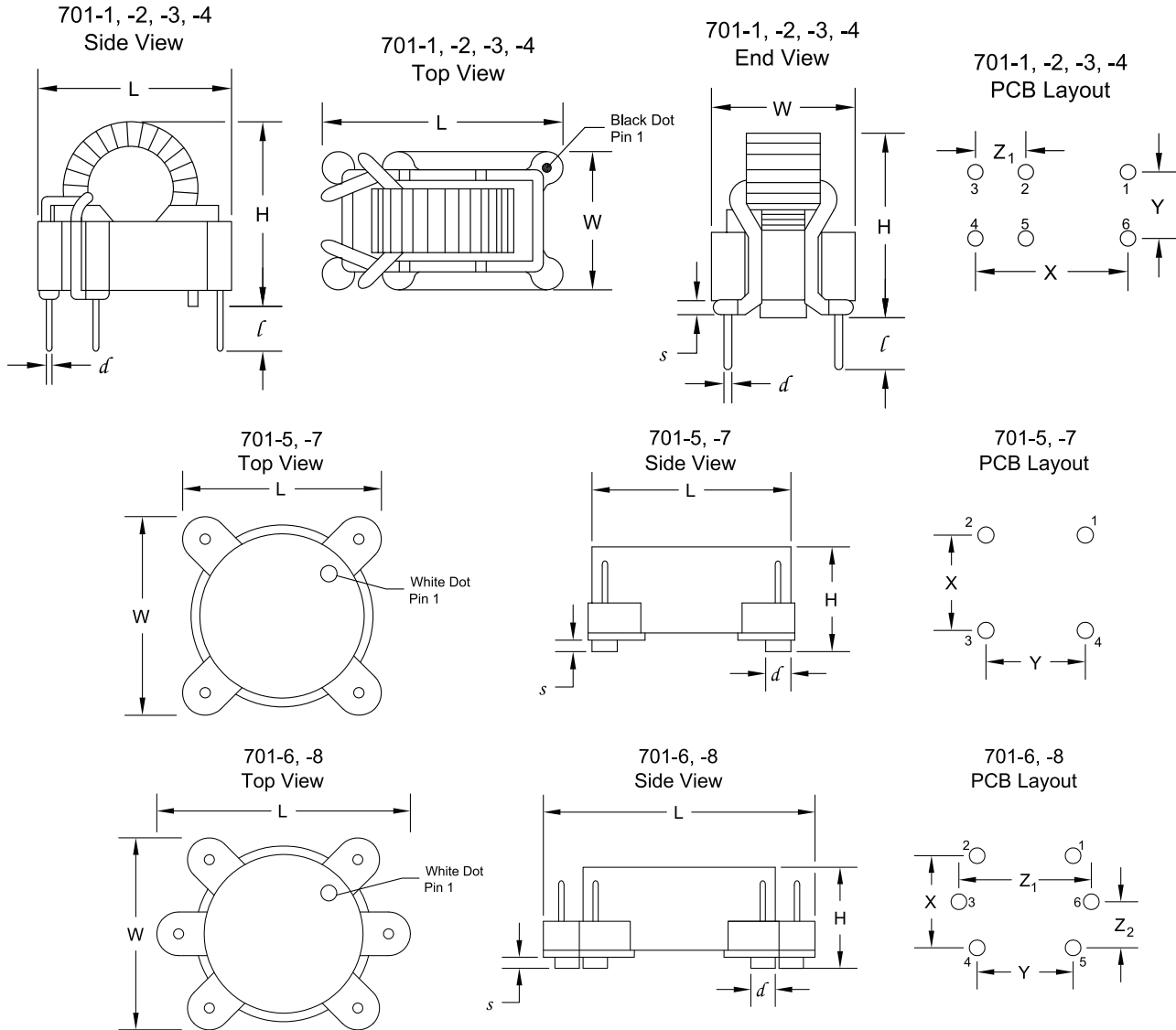
701 Series Schematics



Note A: Based on 50% bipolar square wave, 2500 gauss maximum, Drive Side.



Dimensions: $\frac{\text{inches}}{\text{mm}}$



| Product Code | L | W | H | s | l | d | X | Y | Z ₁ | Z ₂ |
|--------------|--------------|--------------|--------------|--------------|--------------|---------------|--------------|--------------|----------------|----------------|
| 701-1 | | | | | | | | | | |
| 701-2 | <u>0.800</u> | <u>0.450</u> | <u>0.800</u> | <u>0.080</u> | <u>0.175</u> | <u>0.025*</u> | <u>0.700</u> | <u>0.350</u> | <u>0.200</u> | NA |
| 701-3 | 20.3 | 11.4 | 20.3 | 2.0 | 4.4 | 0.6 | 17.8 | 8.9 | 5.1 | |
| 701-4 | | | | | | | | | | |
| 701-5 | <u>0.650</u> | <u>0.650</u> | <u>0.325</u> | <u>0.030</u> | NA | <u>0.070</u> | <u>0.495</u> | <u>0.495</u> | NA | NA |
| 701-7 | 16.5 | 16.5 | 8.3 | 0.8 | | 1.8 | 12.6 | 12.6 | | |
| 701-6 | <u>0.830</u> | <u>0.650</u> | <u>0.325</u> | <u>0.030</u> | NA | <u>0.070</u> | <u>0.495</u> | <u>0.495</u> | <u>0.700</u> | <u>0.248</u> |
| 701-8 | 21.1 | 16.5 | 8.3 | 0.8 | | 1.8 | 12.6 | 12.6 | 17.8 | 6.3 |

* square pin

Note: All materials of construction minimum Class B 130° C rated.