

# 701 Series

## Base Drive Transformers



### PRODUCT DESCRIPTION

West Coast Magnetics' 701 series Base Drive Transformers are designed to operate from 50 kHz to 500 kHz. These base drive transformers provide 3000 Vac of isolation and a winding configuration which has consistent low leakage inductance qualities. These Base Drive Transformers are available in through hole as well as surface mount packaging with tape and reel.

### FEATURES - BENEFITS



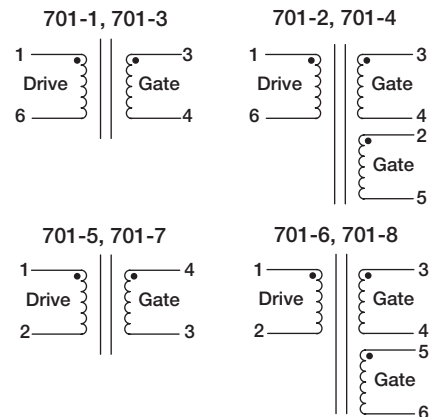
- SMD Tape and Reel
- 50 kHz to 500 kHz operating range
- Low leakage inductance
- 3000 Vac interwinding isolation

### DESIGN CONSTANTS

Part Number	Turns Ratio	ET ( $\mu$ SecMax) A	Drive Inductance (min)	Leakage Inductance (max)	DCR Drive (m $\Omega$ nom)	DCR Gate (m $\Omega$ nom)	Hypot Gate-Drive
701-1	1:1	170	735 $\mu$ H	600nH	180	50	3000 Vac
701-2	1:1:1	170	735 $\mu$ H	600nH	180	100	3000 Vac
701-3	1:1.5	126	400 $\mu$ H	650nH	55	80	3000 Vac
701-4	1:1.5:1.5	126	400 $\mu$ H	650nH	55	160	3000 Vac
701-5	1:1	118	590 $\mu$ H	530nH	310	75	3000 Vac
701-6	1:1:1	118	590 $\mu$ H	530nH	310	150	3000 Vac
701-7	1:1.5	118	590 $\mu$ H	530nH	300	210	3000 Vac
701-8	1:1.5:1.5	118	590 $\mu$ H	530nH	300	420	3000 Vac

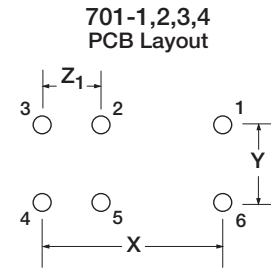
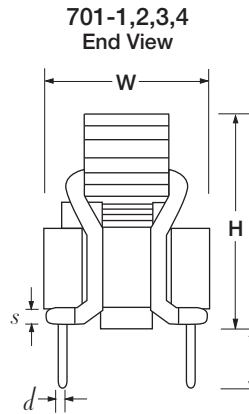
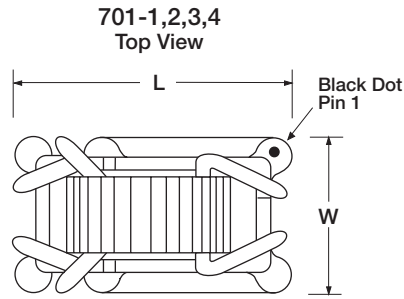
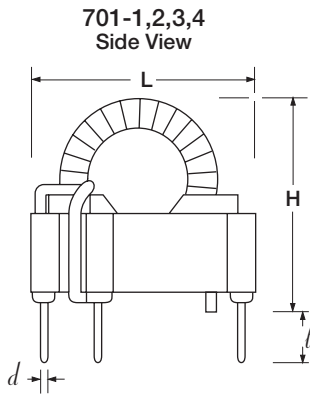
Note A: Based on 50% bipolar square wave, 2500 gauss maximum, Drive Side.

### 701 Series Schematics

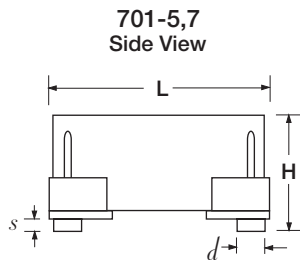
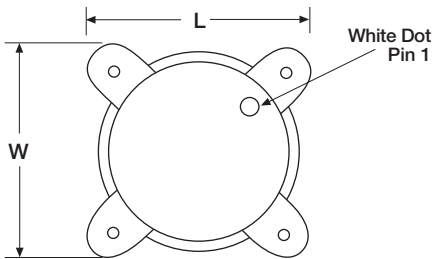


# 701 Series Base Drive Transformers

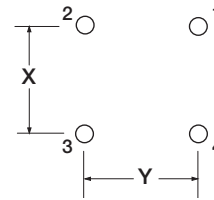
Dimensions: Inches  
mm



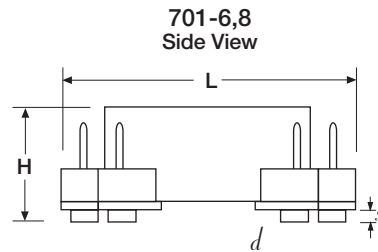
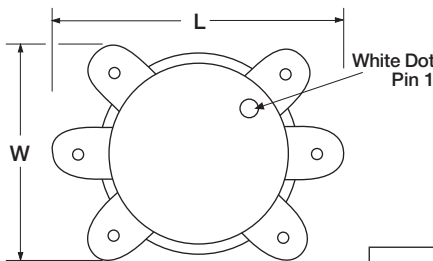
**701-5,7  
Top View**



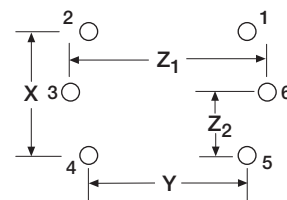
**701-5,7  
PCB Layout**



**701-6,8  
Top View**



**701-6,8  
PCB Layout**



SIZE CODE	L	W	H	s	l	d	X	Y	Z <sub>1</sub>	Z <sub>2</sub>
701-1										
701-2	.800	.450	.800	.080	.175	.025*	.700	.350	.200	NA
701-3	20.3	11.4	20.3	2.0	4.4	0.6	17.8	8.9	5.1	
701-4										
701-5	.650	.650	.325	.030	NA	.070	.495	.495	NA	NA
701-7	16.5	16.5	8.3	0.8		1.8	12.6	12.6		
701-6	.830	.650	.325	.030	NA	.070	.495	.495	.700	.248
701-8	21.1	16.5	8.3	0.8		1.8	12.6	12.6	17.8	6.3

Note: \*square pin

Note: All materials of construction minimum Class B 130 degrees C rated.