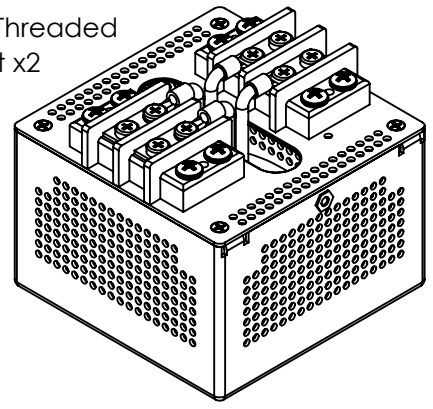
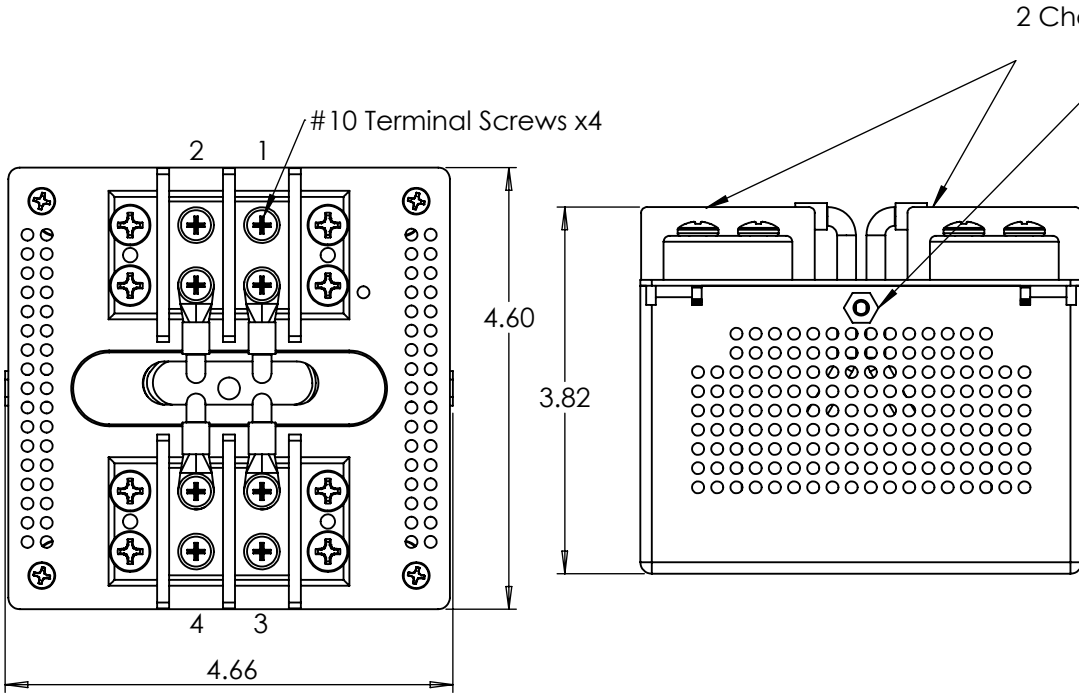
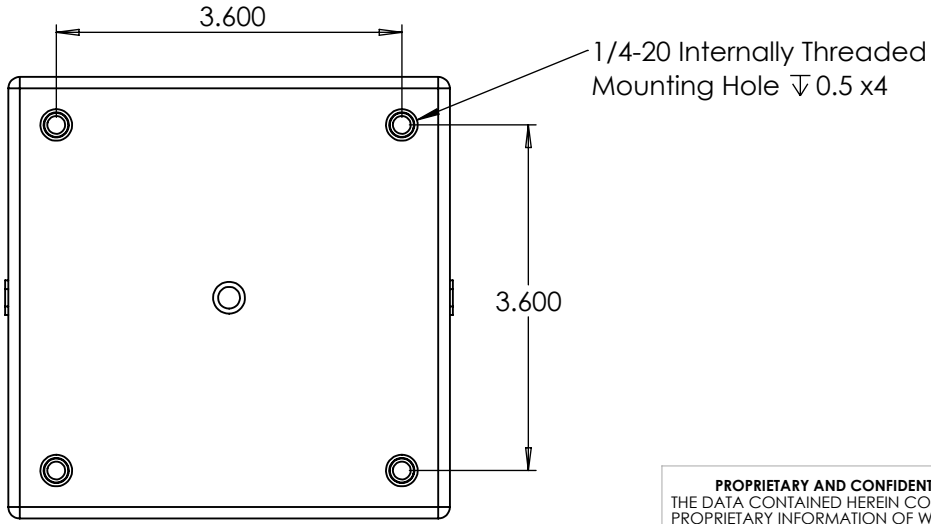


REV	Change	BY	DATE



Electrical specifications per channel:
 Current Rating: 50A
 L = 6.12μH nom. @100kHz
 L = 5.88μH nom. @1MHz
 DCR: 7.8mΩ nominal
 Impedance: >4.5kΩ @13.56MHz
 SRF: 13.56MHz ±0.5MHz
 Isolation: 2.5kVAC channel to channel
 Isolation: 3.5kVDC channel to channel
 Isolation: 6kVDC channel to chassis



Mechanical Specifications:
 All materials rated for 130°C
 Enclosure Material: AL 5052; alodine finish

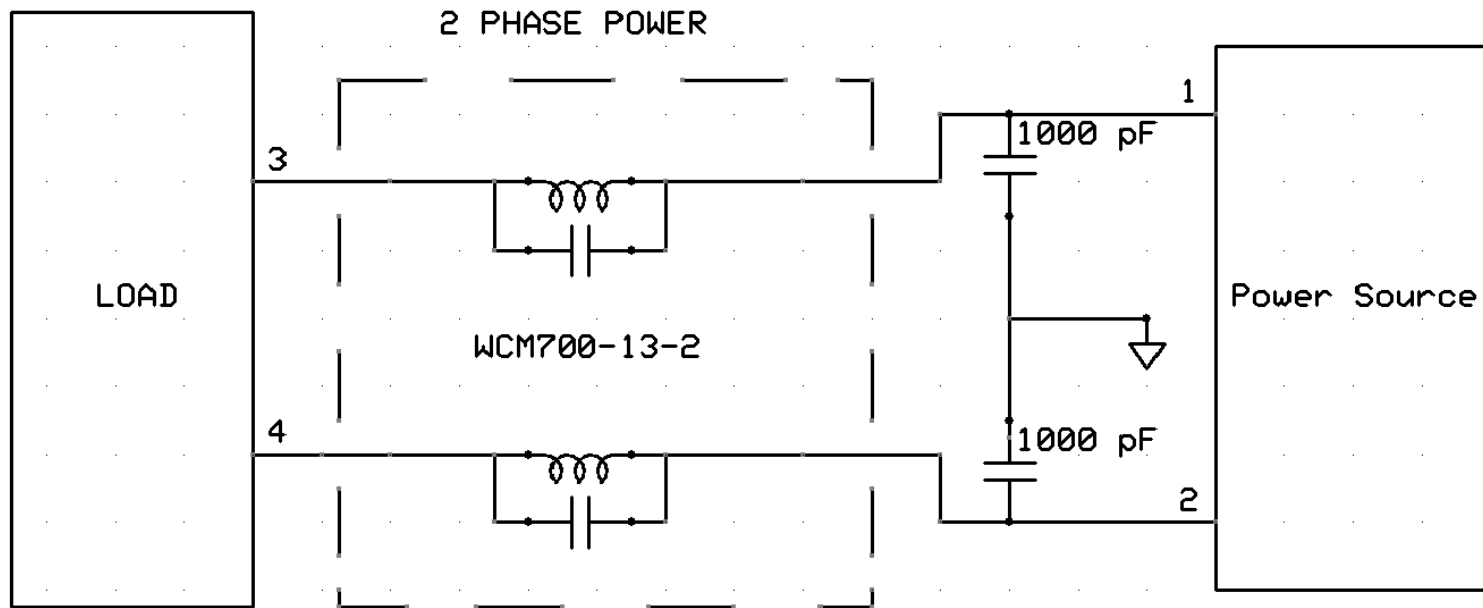
UNLESS OTHERWISE SPECIFIED
 DIMENSIONS ARE IN INCH TOLERANCES
 DECIMALS
 X.X ± 0.05 in
 X.XX ± 0.02 in
 X.XXX ± 0.005 in
 DRAWING NOT TO SCALE UNLESS NOTED

WEST COAST MAGNETICS
 4848 FRONTIER WAY, STE. 100
 STOCKTON, CA 95215
 800-628-1123

PROPRIETARY AND CONFIDENTIAL
 THE DATA CONTAINED HEREIN CONSTITUTES PROPRIETARY INFORMATION OF WEST COAST MAGNETICS AND SHALL NOT BE USED, DUPLICATED, OR DISCLOSED IN WHOLE OR IN PART, EXCEPT FOR RIGHTS EXPRESSLY GRANTED BY CONTRACT, WITHOUT THE PRIOR WRITTEN AUTHORIZATION OF WEST COAST MAGNETICS.



CUSTOMER WCM	DESCRIPTION 2 Channel 13.56MHz Filter
PART NUMBER WCM700-13-2-50A	REV -
RELEASED BY JC	DATE 04/19/21
SHEET 1 OF 2	



Schematic of one recommended application for WCM700-13-2

UNLESS OTHERWISE SPECIFIED
DIMENSIONS ARE IN INCH TOLERANCES
DECIMALS

X.X ± 0.05 in
X.XX ± 0.02 in
X.XXX ± 0.005 in

DRAWING NOT TO SCALE UNLESS NOTED

PROPRIETARY AND CONFIDENTIAL
THE DATA CONTAINED HEREIN CONSTITUTES
PROPRIETARY INFORMATION OF WEST COAST
MAGNETICS AND SHALL NOT BE USED,
DUPLICATED, OR DISCLOSED IN WHOLE OR
IN PART, EXCEPT FOR RIGHTS EXPRESSLY
GRANTED BY CONTRACT, WITHOUT THE PRIOR
WRITTEN AUTHORIZATION OF WEST COAST
MAGNETICS.



WEST COAST MAGNETICS
4848 FRONTIER WAY, STE. 100
STOCKTON, CA 95215
800-628-1123

CUSTOMER WCM	DESCRIPTION 2 Channel 13.56MHz Filter
PART NUMBER WCM700-13-2 50A	REV -
RELEASED BY JC	DATE 4/19/21
SHEET 2 OF 2	