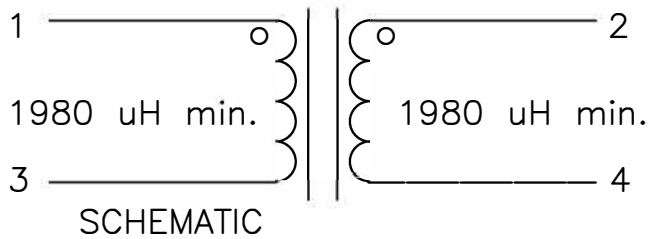
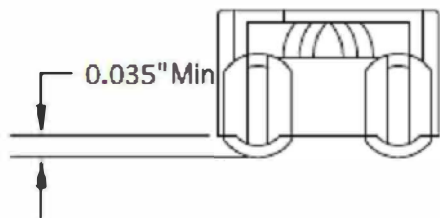


THE DATA CONTAINED HEREIN CONSTITUTE PROPRIETARY INFORMATION OF WEST COAST MAGNETICS AND SHALL NOT BE USED, DUPLICATED, OR DISCLOSED IN WHOLE OR IN PART, EXCEPT FOR RIGHTS EXPRESSLY GRANTED BY CONTRACT, WITHOUT THE PRIOR WRITTEN AUTHORIZATION OF WEST COAST MAGNETICS.

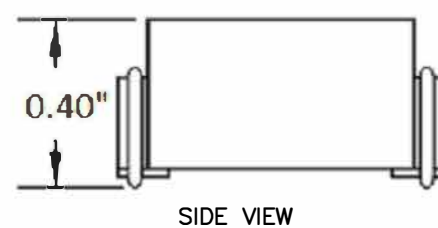
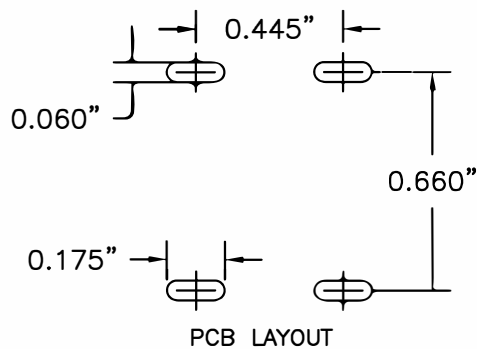
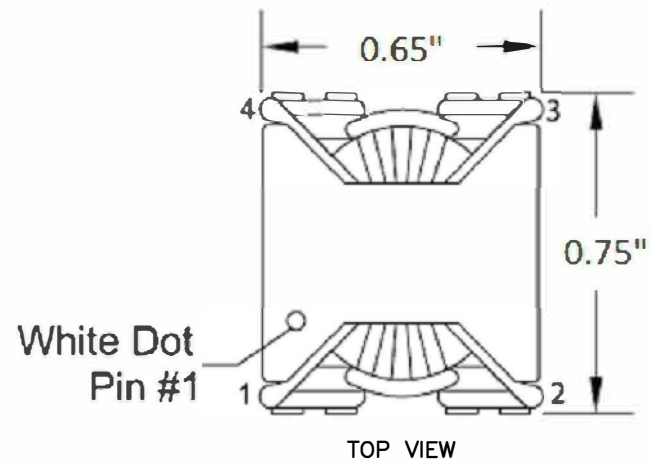
WCM REVISIONS			
REV	CHANGES	BY	DATE



ELECTRICAL SPECIFICATIONS:  
 Inductance = 1980 uH minimum at 10 kHz  
 Rated DC Current (amps) 40 deg. C Temp Rise: 0.8  
 Rated DC Current (amps) 25 deg. C Temp Rise: 0.6  
 Maximum Leakage Inductance = 42.5 uH  
 Maximum DCR = 347 mOhms  
 Interwinding Hipot = 1500 Vac



SIDE VIEW



UNLESS OTHERWISE SPECIFIED DIMENSIONS ARE IN INCHES TOLERANCES PER ANSI Y14.5M

FRAC	DECIMALS	ANGLES	SURF.
±1/32	.x ± 0.10"	± 1 deg.	
	.X ± 0.05"		
	.XX ± 0.02"		
	.XXX ± 0.005"		

DRAWING NOT TO SCALE  
UNLESS NOTED.

WEST COAST MAGNETICS

4848 FRONTIER WAY, STE. 100  
 STOCKTON, CA 95215  
 WWW.WCMAGNETICS.COM  
 800-628-1123

CUSTOMER	DESCRIPTION
WCM	COMMON MODE CHOKE SM

**WCM** WEST COAST  
MAGNETICS

PART NUMBER		REV.
WCMCMC0062		-
RELEASED BY	DATE	PAGE
CC	11/07/13	1/1