



WCM410-40 WCM410-20
WCM410-30 WCM410-10

switch mode transformers

PRODUCT DESCRIPTION

West Coast Magnetics' new WCM410-40,-30,-20,-10 series sets the standard for medium power switch mode transformers. This new series has both very high power density and enough isolation to meet UL/CSA/VDE isolation requirements for medical transformers. They are designed specifically with a low loss core suitable for use up to 2 MHz.

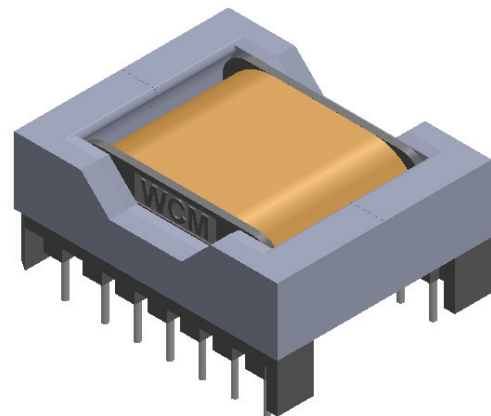
OUTPUT POWER VS FREQUENCY OF OPERATION (WATTS)

Size Code	Frequency	100 kHz	200 kHz	400 kHz	600 kHz	1 MHz
WCM410-40	Power Rating	270	329	402	490	600
WCM410-30	Power Rating	140	171	208	254	310
WCM410-20	Power Rating	68	83	101	123	150
WCM410-10	Power Rating	33	40	49	60	72

ENGINEERING DATA

Size Code	Ae Core Area (mm ²)	Le magnetic path length (mm)	Ve core volume (mm ³)	Wa bobbin winding area (mm ²)	WaAc Core area winding area (mm ⁴)	Bobbin window width (mm)	Bobbin window height (mm)	mean length per turn (mm)	Core material
WCM410-40	77.1	77.87	2806	75.66	5833	19.5	3.88	59.0	WCM-F300
WCM410-30	54.6	66.93	1765	54.56	2978	17.6	3.10	47.6	WCM-F300
WCM410-20	38.4	54.23	979	38.25	1468	15.0	2.55	38.2	WCM-F300
WCM410-10	25.4	43.96	530	27.97	710	11.9	2.35	31.5	WCM-F300

Power rating is based on 40°C Temperature rise, unpotted, no forced air or cold plate cooling. Power rating will increase significantly with potted transformer and external cooling available.

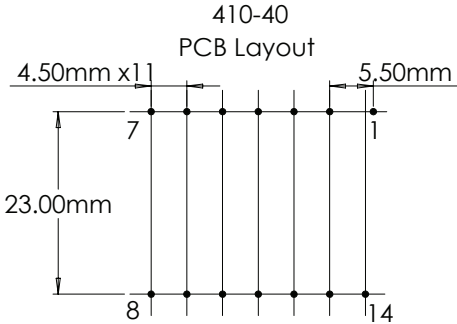
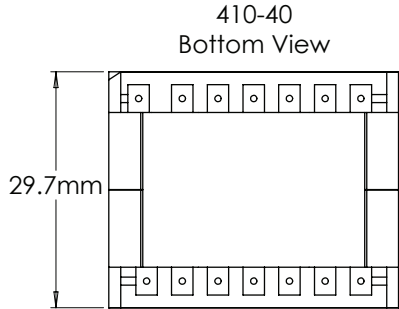
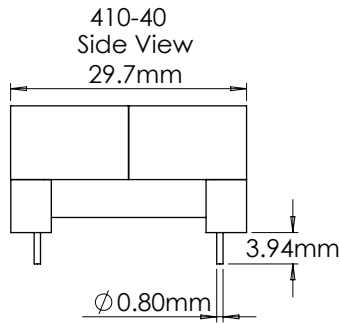
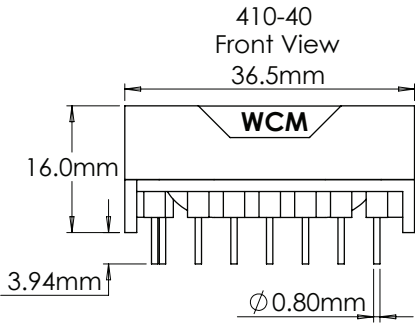




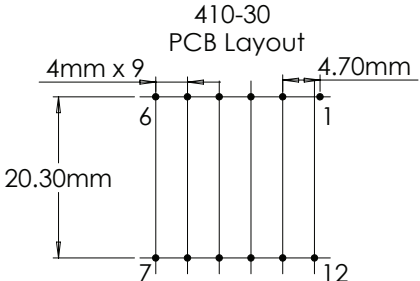
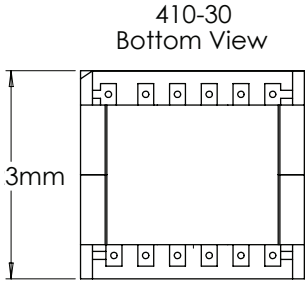
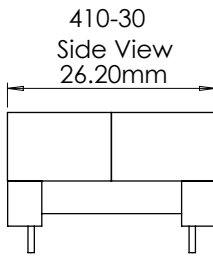
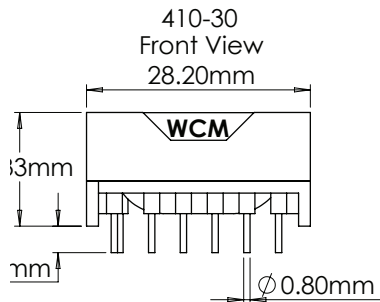
WCM410-40 WCM410-20
 WCM410-30 WCM410-10 p.2

switch mode transformers

Dimensions: $\frac{\text{inches}}{\text{mm}}$



Tolerance:
 Inches
 x.xx ± 0.020"
 x.xxx ± 0.005"
 Millimeters
 x.x ± 0.25 mm
 x.xx ± 0.13 mm

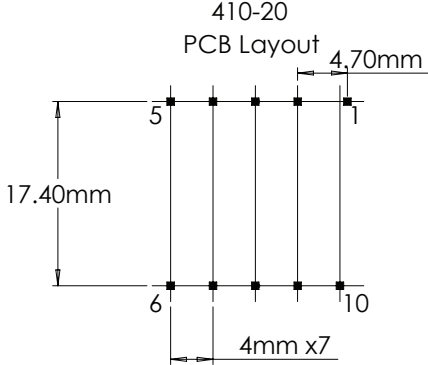
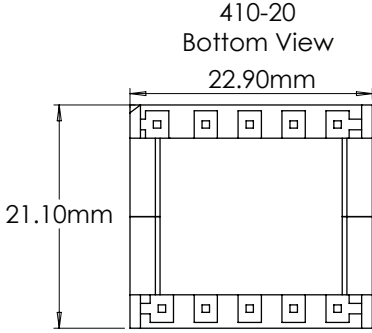
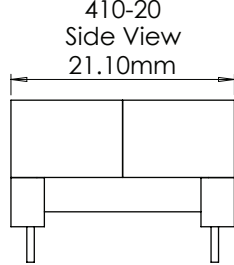
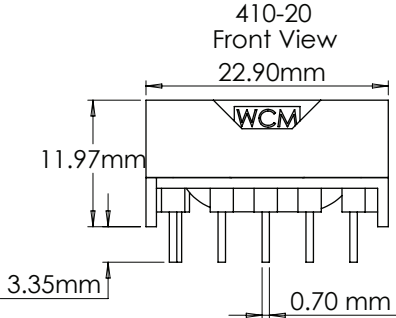




WCM410-40 WCM410-20
WCM410-30 WCM410-10 p.3

switch mode transformers

Dimensions: $\frac{\text{inches}}{\text{mm}}$



Tolerance:
Inches
x.xx ± 0.020"
x.xxx ± 0.005"
Millimeters
x.x ± 0.25 mm
x.xx ± 0.13 mm

