

504 series

common mode chokes

PRODUCT DESCRIPTION

West Coast Magnetics' 504 series common mode chokes provide excellent noise attenuation in a small package. With a continuous RMS current rating in excess of 20 amps, this common mode choke can actually handle up to 50 amps for a short duration of time. This choke also features high noise attenuation in a compact SMD design and is available in tape and reel at larger quantities. WCM 504-1 through WCM 504-6 provide 3 mm of creepage and clearance for safety agency compliance.

FEATURES & BENEFITS

DC currents to 23 amps – SMD package – 3 mm creepage & clearance – Tape and reel

Product Code	Minimum Inductance (μ H)	Maximum Leakage (μ H)	DCR Nominal (mOhms)	Rated RMS Current (amps)	Interwinding Hypot (Vac)	Clearance (mm)
504-1	1290	29.1	51.0	5.0	1500	3.0
504-2	809	16.1	26.0	7.1	1500	3.0
504-3	439	9.3	16.0	9.0	1500	3.0
504-4	271	5.4	6.3	14.4	1500	3.0
504-5	143	3.2	3.0	20.8	1500	3.0
504-6	110	2.5	2.4	23.3	1500	3.0
504-7	2153	31.3	68.0	4.4	1500	0.0
504-8	1290	20.0	33.0	6.3	1500	0.0
504-9	809	11.3	17.0	8.7	1500	0.0
504-10	504	8.0	8.7	12.2	1500	0.0
504-11	323	4.6	4.5	17.0	1500	0.0
504-12	224	4.0	3.1	20.5	1500	0.0

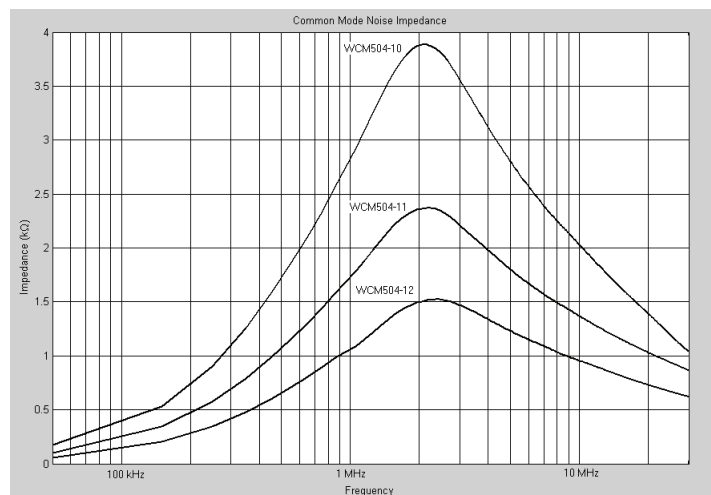
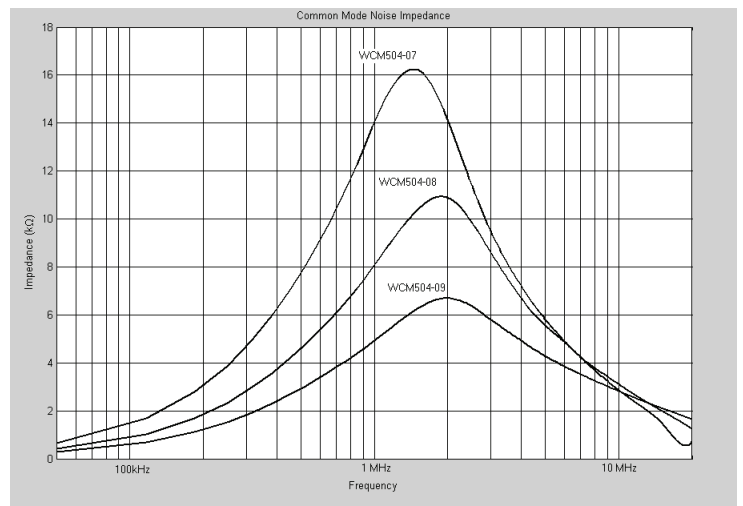
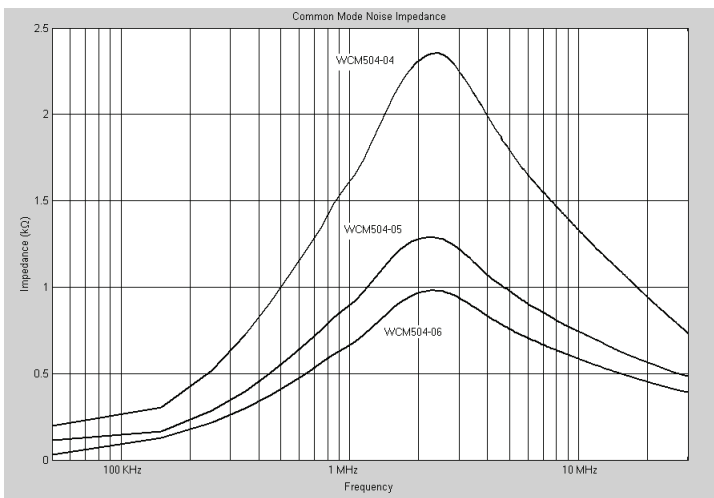
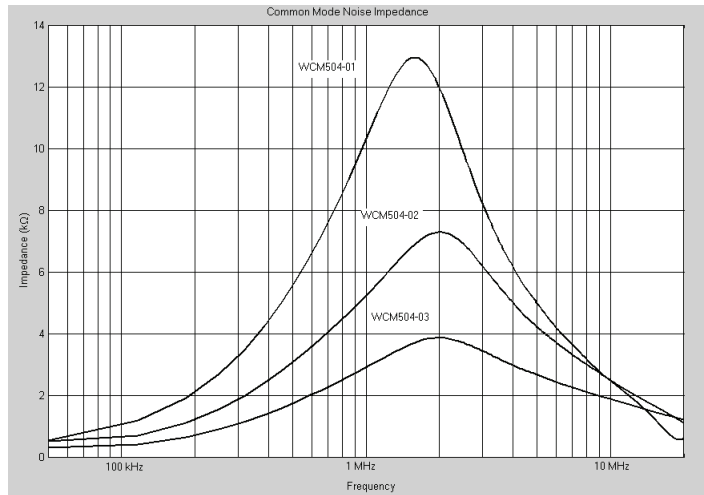


Notes:

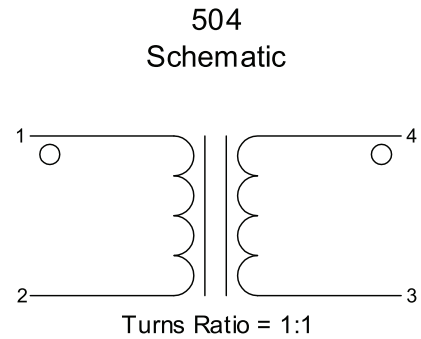
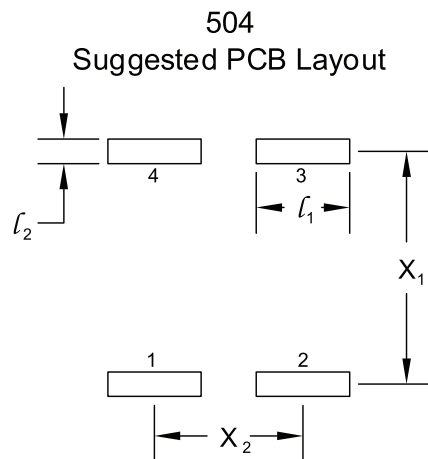
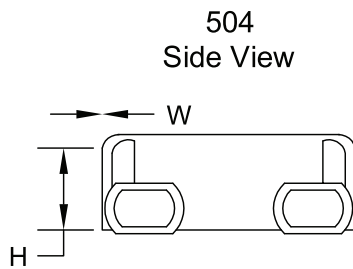
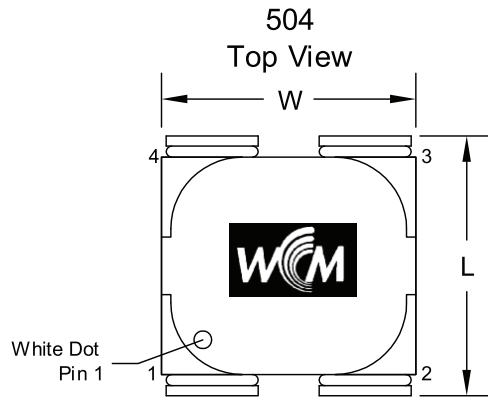
1: The RMS current rating on this datasheet will lead to an approximate 40° C temperature rise above ambient. These chokes will handle up to 2.5 times this current for a short duration.

2: All materials of construction are rated for 155° C continuous service.

common mode chokes



Dimensions: $\frac{\text{inches}}{\text{mm}}$



Product Code	L	W	H (max)	X ₁	X ₂	l ₁	l ₂
504-1	<u>1.20</u> 30.50	<u>0.990</u> 25.20	<u>0.48</u> 12.20	<u>1.10</u> 27.90	<u>0.600</u> 15.20	<u>0.400</u> 10.20	<u>0.155</u> 3.94
504-2	<u>1.20</u> 30.50	<u>0.990</u> 25.20	<u>0.49</u> 12.40	<u>1.10</u> 27.90	<u>0.600</u> 15.20	<u>0.400</u> 10.20	<u>0.155</u> 3.94
504-3	<u>1.20</u> 30.50	<u>0.990</u> 25.20	<u>0.49</u> 12.40	<u>1.10</u> 27.90	<u>0.600</u> 15.20	<u>0.400</u> 10.20	<u>0.155</u> 3.94
504-4	<u>1.20</u> 30.50	<u>0.990</u> 25.20	<u>0.50</u> 12.70	<u>1.10</u> 27.90	<u>0.600</u> 15.20	<u>0.400</u> 10.20	<u>0.155</u> 3.94
504-5	<u>1.20</u> 30.50	<u>0.990</u> 25.20	<u>0.51</u> 13.00	<u>1.10</u> 27.90	<u>0.600</u> 15.20	<u>0.400</u> 10.20	<u>0.155</u> 3.94
504-6	<u>1.20</u> 30.50	<u>0.990</u> 25.20	<u>0.52</u> 13.20	<u>1.10</u> 27.90	<u>0.600</u> 15.20	<u>0.400</u> 10.20	<u>0.155</u> 3.94
504-7	<u>1.20</u> 30.50	<u>0.990</u> 25.20	<u>0.48</u> 12.20	<u>1.10</u> 27.90	<u>0.600</u> 15.20	<u>0.400</u> 10.20	<u>0.155</u> 3.94
504-8	<u>1.20</u> 30.50	<u>0.990</u> 25.20	<u>0.49</u> 12.40	<u>1.10</u> 27.90	<u>0.600</u> 15.20	<u>0.400</u> 10.20	<u>0.155</u> 3.94
504-9	<u>1.20</u> 30.50	<u>0.990</u> 25.20	<u>0.49</u> 12.40	<u>1.10</u> 27.90	<u>0.600</u> 15.20	<u>0.400</u> 10.20	<u>0.155</u> 3.94
504-10	<u>1.20</u> 30.50	<u>0.990</u> 25.20	<u>0.50</u> 12.70	<u>1.10</u> 27.90	<u>0.600</u> 15.20	<u>0.400</u> 10.20	<u>0.155</u> 3.94
504-11	<u>1.20</u> 30.50	<u>0.990</u> 25.20	<u>0.51</u> 13.00	<u>1.10</u> 27.90	<u>0.600</u> 15.20	<u>0.400</u> 10.20	<u>0.155</u> 3.94
504-12	<u>1.20</u> 30.50	<u>0.990</u> 25.20	<u>0.52</u> 13.20	<u>1.10</u> 27.90	<u>0.600</u> 15.20	<u>0.400</u> 10.20	<u>0.155</u> 3.94