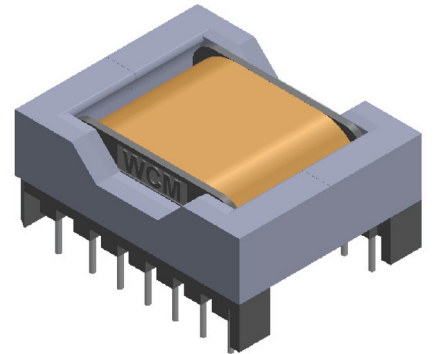


WCM410-40 WCM410-20 WCM410-30 WCM410-10

Switch Mode Transformers

Product Description

West Coast Magnetics' new WCM410-40,-30,-20,-10 series sets the standard for medium power switch mode transformers. This new series has both very high power density and enough isolation to meet UL/CSA/VDE isolation requirements for medical transformers. They are designed specifically with a low loss core suitable for use up to 2 MHz.



Output Power vs Frequency of Operation (Watts)

Product Code	Frequency	100 kHz	200 kHz	400 kHz	600 kHz	1 MHz
WCM410-40	Power Rating	270	329	402	490	600
WCM410-30	Power Rating	140	171	208	254	310
WCM410-20	Power Rating	68	83	101	123	150
WCM410-10	Power Rating	33	40	49	60	72

Engineering Data

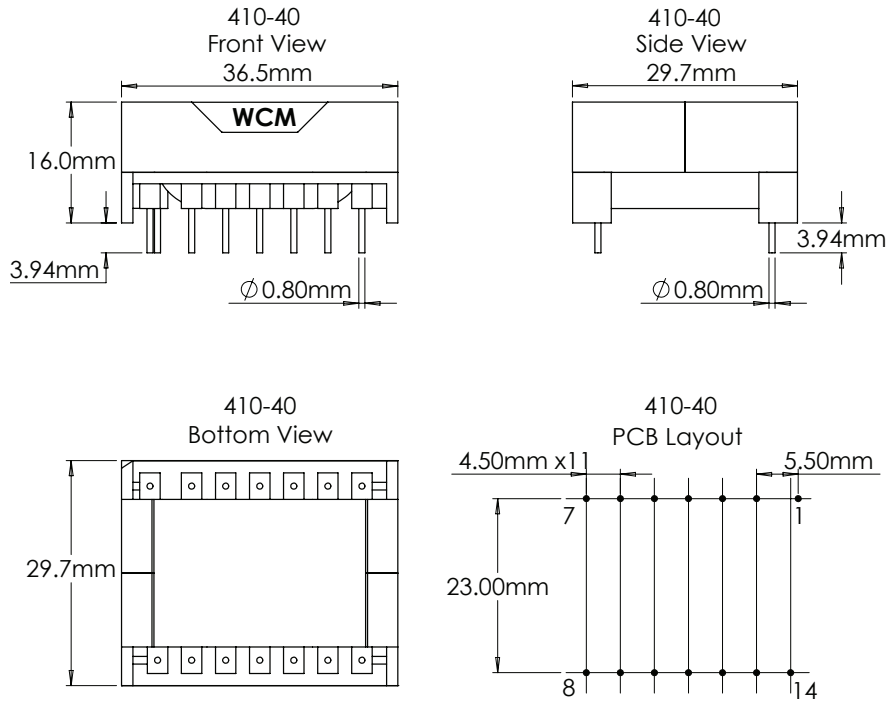
Product Code	Ae Core Area (mm ²)	Le magnetic path length (mm)	Ve core volume (mm ³)	Wa bobbin winding area (mm ²)	WaAc Core area winding area (mm ⁴)	Bobbin window width (mm)	Bobbin window height (mm)	Mean length per turn (mm)	Core material
WCM410-40	77.1	77.87	2806	75.66	5833	19.5	3.88	59.0	WCM-F300
WCM410-30	54.6	66.93	1765	54.56	2978	17.6	3.10	47.6	WCM-F300
WCM410-20	38.4	54.23	979	38.25	1468	15.0	2.55	38.2	WCM-F300
WCM410-10	25.4	43.96	530	27.97	710	11.9	2.35	31.5	WCM-F300

Note:
1. Power rating is based on 40°C Temperature rise, unpotted, no forced air or cold plate cooling. Power rating will increase significantly with potted transformer and external cooling available.

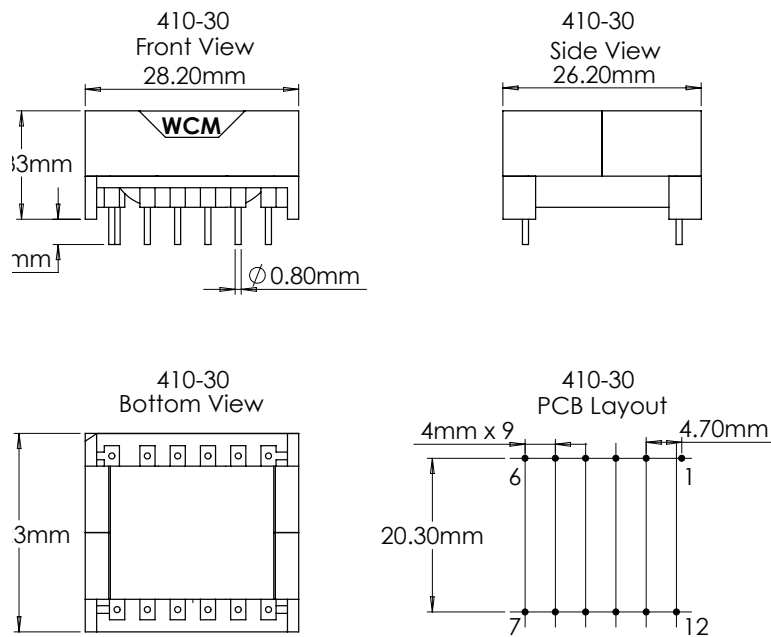


Schematics

WCM410-40 and WCM410-30



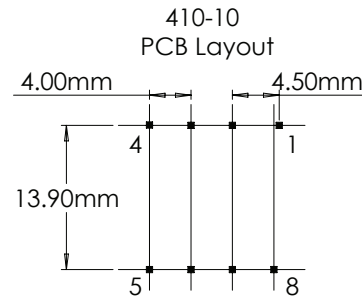
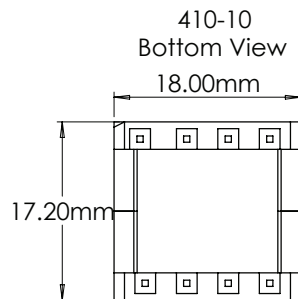
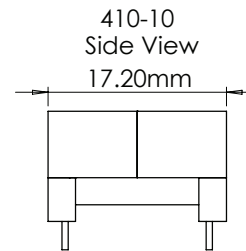
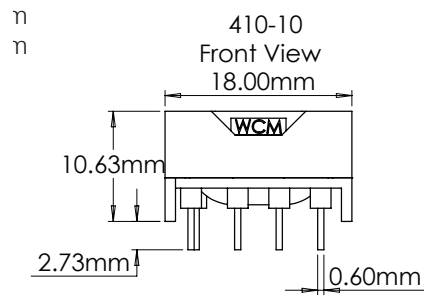
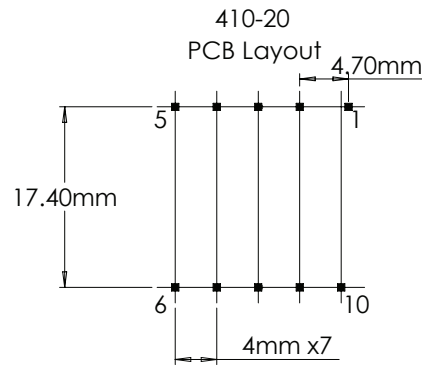
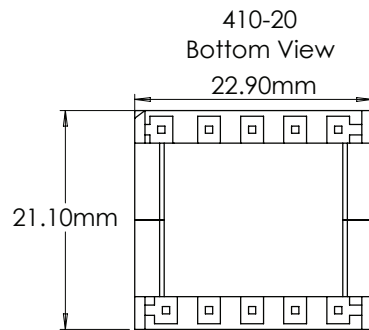
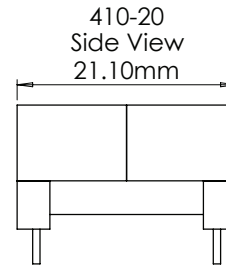
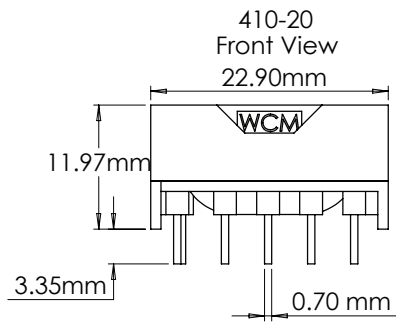
m
m



Dimensions:	Tolerance:
Inches	Inches
mm	x.xx ± 0.020"
	x.xxx ± 0.005"
	Millimeters
	x.x ± 0.25mm
	x.xx ± 0.13mm

Schematics

WCM410-20 and WCM410-10



Dimensions:

Inches
mm

Tolerance:

Inches

x.xx ± 0.020"
x.xxx ± 0.005"

Millimeters

x.x ± 0.25mm
x.xx ± 0.13mm