

803 series

50Hz/60Hz/500Hz transformers

PRODUCT DESCRIPTION

West Coast Magnetics' 803 series 50/60 Hz transformer is a cost effective and efficient single phase power transformer. This power transformer series has an output power rating up to 15 kVA and can serve as an isolation transformer if required. West Coast Magnetics design engineers will deliver a quality custom isolation power transformer to your exact specifications.

Product Code	VA Rating*	Weight (kg)
803-1	83	1.1
803-2	119	1.5
803-3	183	2.1
803-4	261	3.0
803-5	348	3.6
803-6	448	4.5
803-7	599	5.6
803-8	820	7.7
803-9	1170	10.0
803-10	1460	12.0
803-11	2180	19.0
803-12	3340	25.0
803-13	5000	36.0
803-14	8650	52.0
803-15	15000	85.0

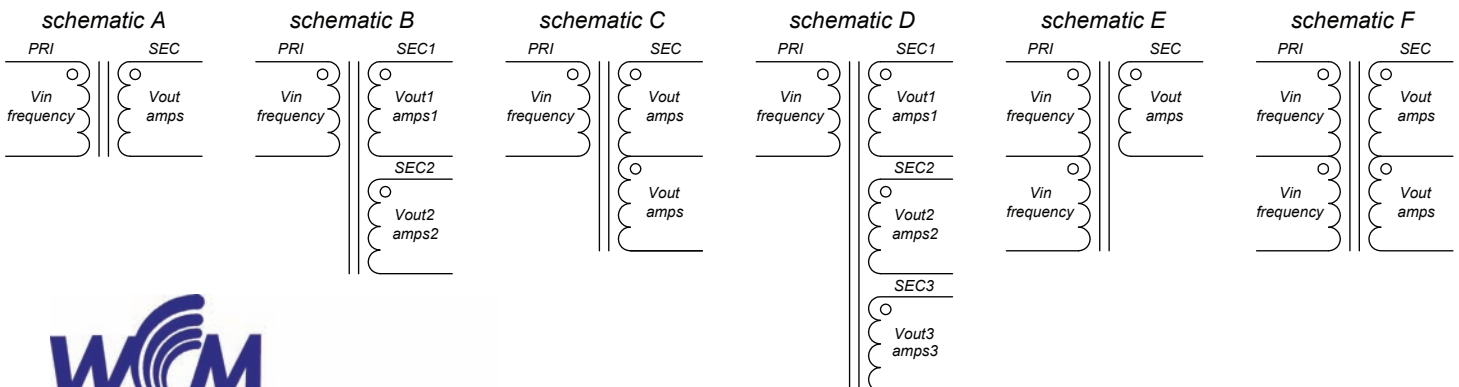
FEATURES & BENEFITS

Power to 15 kVA – Hypot to 4000 Vac – Quick turnaround on prototypes

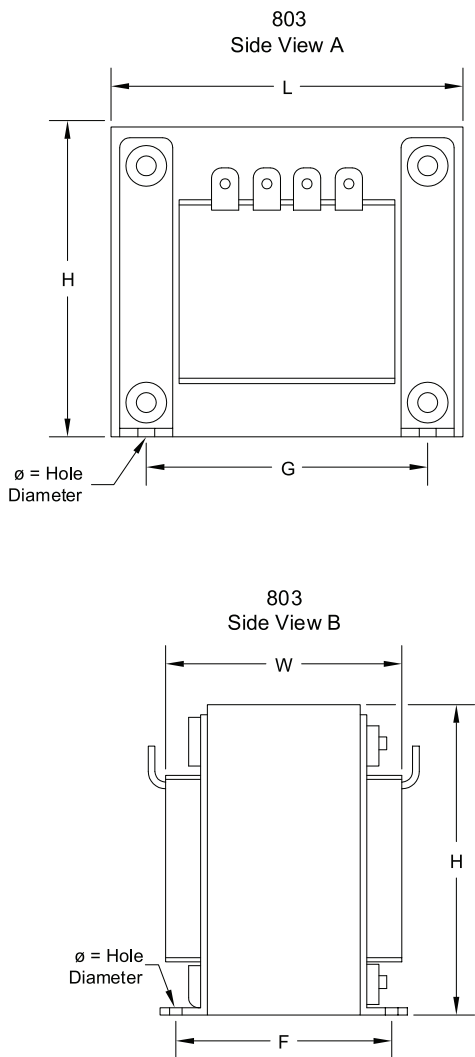
*Note: VA rating based on 60 Hz operation



This custom power transformer will be designed precisely to your requirements. Choose a schematic below and click here to contact us with your specifications.



Dimensions: $\frac{\text{inches}}{\text{cm}}$



Product Code	L	W	H	F	G	\varnothing
803-1	<u>3.00</u> 7.62	<u>2.15</u> 5.46	<u>2.50</u> 6.35	<u>2.00</u> 5.08	<u>2.50</u> 6.35	<u>0.203</u> 0.521
803-2	<u>3.00</u> 7.62	<u>2.65</u> 6.73	<u>2.50</u> 6.35	<u>2.50</u> 6.35	<u>2.50</u> 6.35	<u>0.203</u> 0.521
803-3	<u>3.75</u> 9.53	<u>2.69</u> 6.83	<u>3.13</u> 7.95	<u>2.25</u> 5.72	<u>3.13</u> 7.95	<u>0.203</u> 0.521
803-4	<u>3.75</u> 9.53	<u>3.31</u> 8.41	<u>3.13</u> 7.95	<u>2.88</u> 7.32	<u>3.13</u> 7.95	<u>0.203</u> 0.521
803-5	<u>4.50</u> 11.43	<u>3.23</u> 8.20	<u>3.75</u> 9.53	<u>2.50</u> 6.35	<u>3.75</u> 9.53	<u>0.203</u> 0.521
803-6	<u>4.50</u> 11.43	<u>3.73</u> 4.47	<u>3.75</u> 9.53	<u>3.00</u> 7.62	<u>3.75</u> 9.53	<u>0.203</u> 0.521
803-7	<u>5.25</u> 13.34	<u>3.75</u> 9.53	<u>4.38</u> 11.13	<u>2.88</u> 7.32	<u>4.38</u> 11.13	<u>0.281</u> 0.714
803-8	<u>5.25</u> 13.34	<u>4.50</u> 11.43	<u>4.38</u> 11.13	<u>3.63</u> 9.22	<u>4.38</u> 11.13	<u>0.281</u> 0.714
803-9	<u>6.38</u> 16.21	<u>4.54</u> 11.53	<u>5.31</u> 13.49	<u>3.25</u> 8.26	<u>5.31</u> 13.49	<u>0.281</u> 0.714
803-10	<u>6.75</u> 17.15	<u>4.81</u> 12.22	<u>5.63</u> 14.30	<u>3.38</u> 8.58	<u>6.13</u> 15.57	<u>0.281</u> 0.714
803-11	<u>6.38</u> 16.21	<u>6.71</u> 17.04	<u>5.31</u> 13.49	<u>5.38</u> 13.67	<u>5.31</u> 13.49	<u>0.281</u> 0.714
803-12	<u>7.50</u> 19.05	<u>7.00</u> 17.78	<u>6.25</u> 15.88	<u>5.13</u> 13.03	<u>6.75</u> 17.15	<u>0.281</u> 0.714
803-13	<u>7.50</u> 19.05	<u>9.00</u> 22.86	<u>6.25</u> 15.88	<u>7.13</u> 18.11	<u>6.75</u> 17.15	<u>0.281</u> 0.714
803-14	<u>9.00</u> 22.9	<u>9.50</u> 24.1	<u>7.50</u> 19.1	<u>8.16</u> 20.7	<u>7.625</u> 19.4	<u>0.375</u> 0.953
803-15	<u>9.00</u> 22.9	<u>14.00</u> 35.6	<u>7.50</u> 19.1	<u>12.66</u> 32.2	<u>7.625</u> 11.75	<u>0.375</u> 0.953

Note: All materials of construction minimum Class B 130° C rated.