

306 series

power inductors

PRODUCT DESCRIPTION

West Coast Magnetics' 306 series high current inductors are designed to meet the most demanding requirements. These inductors will support high levels of ripple at frequencies up to 500 kHz. West Coast Magnetics' 306 series power inductors are conservatively rated from 16 to 75 Amps DC or Rms on a continuous duty basis. Inductor values range from 26 to 590 microhenries.

FEATURES & BENEFITS

DC or Rms current to 75 amps – Inductance to 590 microhenries – High ripple at frequencies to 500 kHz

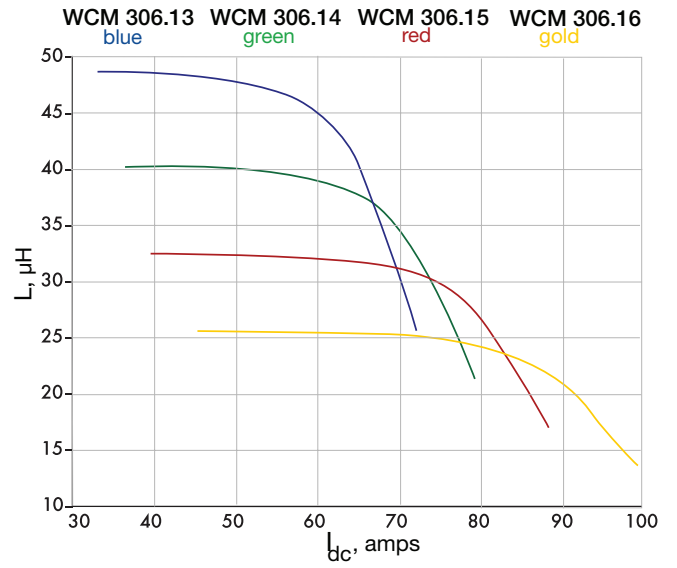
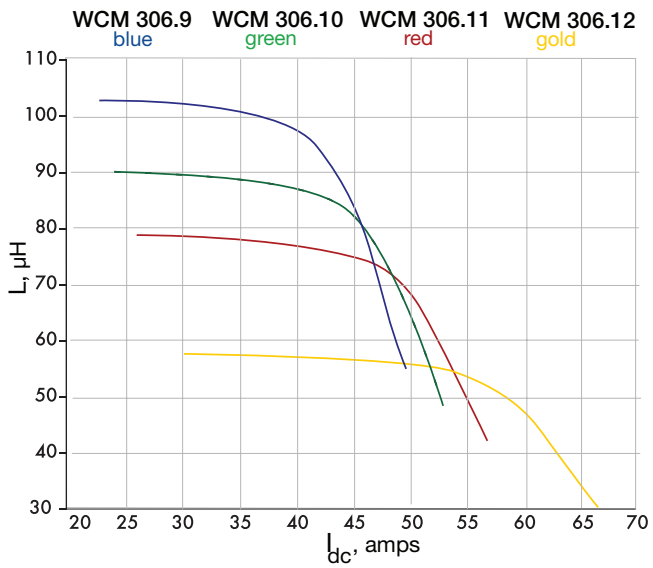
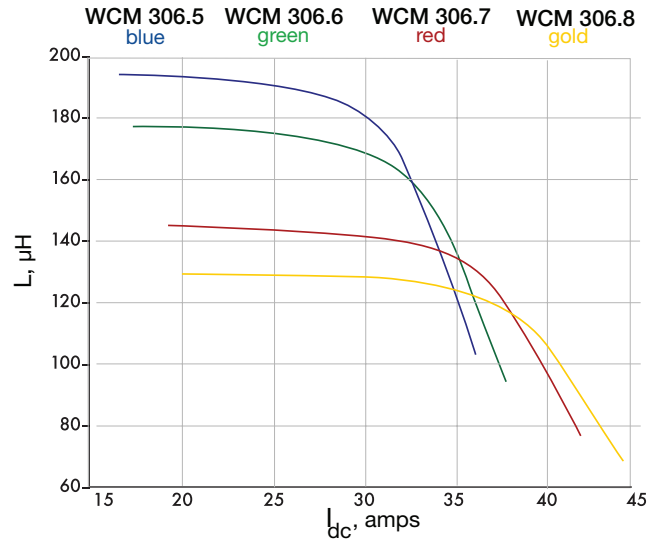
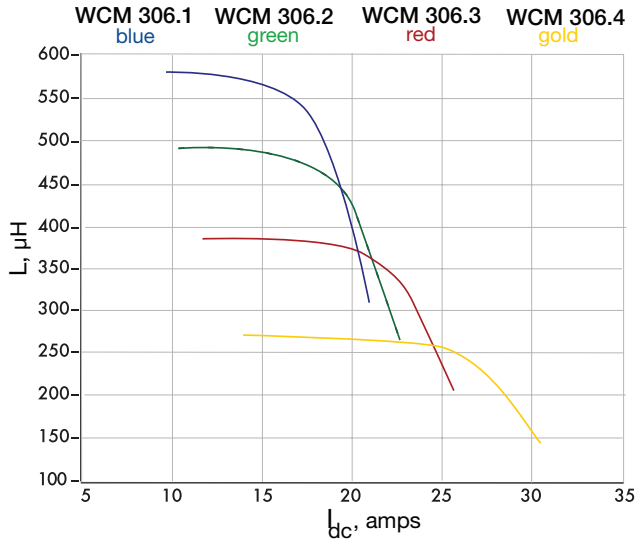
Product Code	Inductance μH	DCR mOhms	I _{rms} amps (INPUT)	Weight (kg)
306-1	582	15.98	15.0	1.0
306-2	494	12.61	17.0	1.0
306-3	388	9.77	19.0	1.0
306-4	273	6.56	23.0	1.0
306-5	195	4.40	27.0	1.0
306-6	178	3.92	28.0	1.0
306-7	146	3.20	31.0	1.0
306-8	131	2.80	33.0	1.0
306-9	103	2.14	37.0	1.0
306-10	91	1.89	39.0	1.0
306-11	79	1.63	42.0	1.0
306-12	58	1.25	48.0	1.0
306-13	49	1.03	55.0	1.0
306-14	40	0.81	58.0	1.0
306-15	33	0.70	66.0	1.0
306-16	26	0.55	74.0	1.0



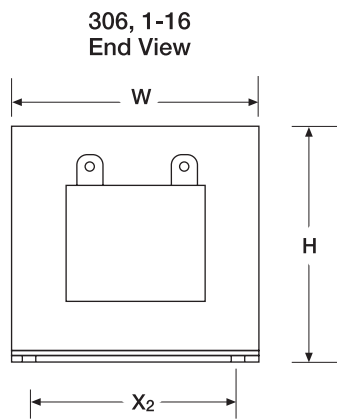
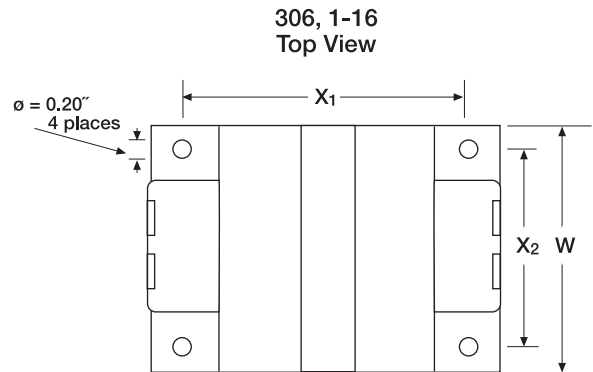
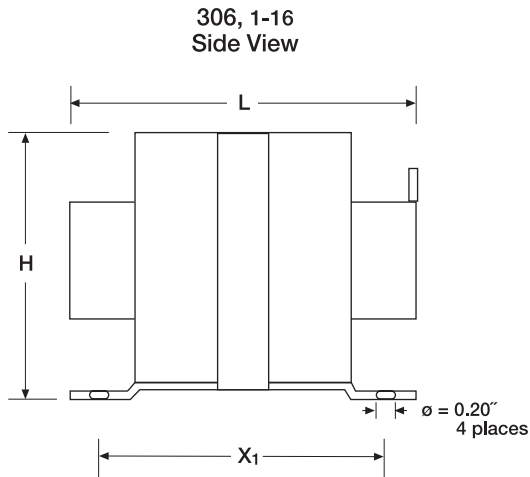
SHAPED FOIL TECHNOLOGY™

West Coast Magnetics' exclusive SHAPED FOIL TECHNOLOGY™ combines the low DCR of a foil winding, with the low AC winding resistance of litz wire. For many high ripple, high frequency applications it has significantly lower winding losses than any litz or solid wire winding. Check with WCM's engineering department to see if it is right for your application.





Dimensions: $\frac{\text{Inches}}{\text{cm}}$



Product Code	W	H	L	X ₁	X ₂
306	2.85	3.0	3.05	1.70	2.10
	7.24	7.62	7.75	4.32	5.33