

202 series

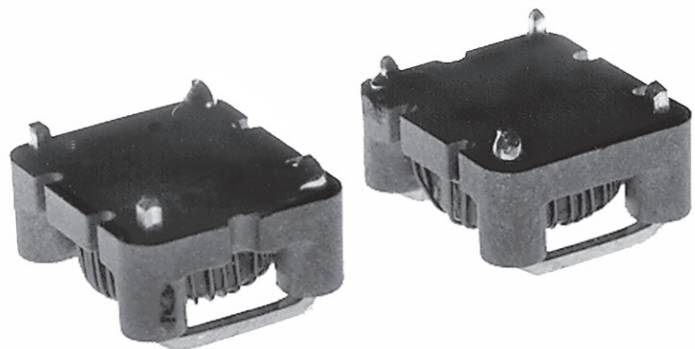
rf inductors

PRODUCT DESCRIPTION

West Coast Magnetics' high Q RF inductors are designed for resonant circuit applications requiring exceptionally high Q's and tight tolerances on inductance specifications. They are mounted in a surface mount package which assures mechanical stability and excellent lead coplanarity. The package is suitable for automatic pick and place equipment.

FEATURES - BENEFITS

Exceptionally high Q values at RF frequencies –™ Standard Inductance tolerance +/-5% – Tighter tolerances available on request – Application specific designs also available including different inductance values and Q specifications adjusted to frequency requirements



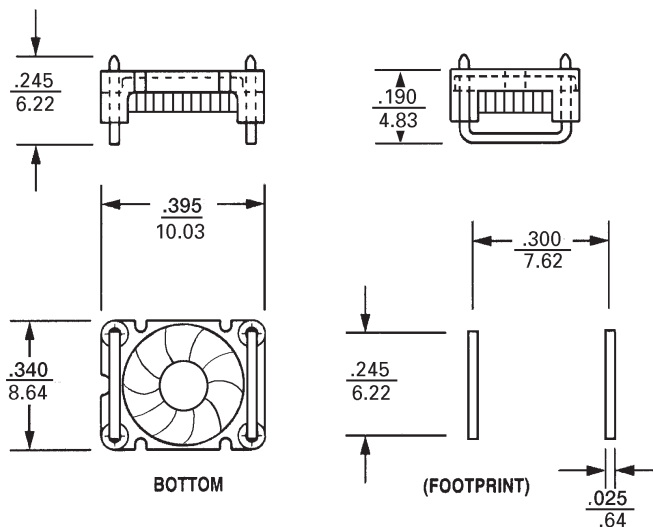
Product Code	Inductance ($\mu\text{H} \pm 5\%$)	Q min at	Frequency (MHz)	Q min at	Frequency (MHz)	Q min at	Frequency (MHz)	DCR nom (milliohms)	Self Resonant Frequency
202-01	.039	90	70	100	100	100	150	18	550
202-02	.047	90	70	100	100	100	150	20	530
202-03	.056	90	70	100	100	100	150	22	510
202-04	.068	90	70	100	100	100	125	24	490
202-05	.082	90	70	100	100	100	125	28	470
202-06	.100	90	70	100	100	100	125	31	440
202-07	.120	90	70	100	100	100	125	35	400
202-08	.150	95	25	110	50	105	70	28	330
202-09	.180	100	25	110	50	105	70	31	310
202-10	.200	95	20	110	30	105	50	35	280
202-11	.270	105	20	115	30	110	50	38	230
202-12	.330	110	20	120	30	110	50	41	220
202-13	.390	125	10	165	20	155	30	32	200
202-14	.470	125	10	170	20	155	30	35	180
202-15	.560	125	10	175	20	155	30	38	170

16-30, cont'd next page →

...continued from previous

Product Code	Inductance ($\mu\text{H} \pm 5\%$)	Q min at	Frequency (MHz)	Q min at	Frequency (MHz)	Q min at	Frequency (MHz)	DCR nom (milliohms)	Self Resonant Frequency
202-16	.680	140	10	180	20	160	30	41	150
202-17	.820	150	10	180	20	160	30	71	140
202-18	1.000	160	10	185	20	160	30	78	120
202-19	1.200	165	10	190	20	160	30	82	110
202-20	1.500	150	7	150	10	140	15	85	100
202-21	1.800	150	7	150	10	135	15	90	90
202-22	2.200	150	7	150	10	135	15	158	75
202-23	2.700	150	7	150	10	135	15	181	65
202-24	3.300	135	4	155	7	150	10	200	60
202-25	3.900	135	4	155	7	150	10	340	55
202-26	4.700	135	4	155	7	145	10	380	50
202-27	5.600	135	4	145	7	145	10	410	45
202-28	6.800	135	4	140	7	140	10	700	43
202-29	8.200	135	4	140	7	135	10	805	38
202-30	10.000	135	4	140	7	135	10	850	35

Dimensions: $\frac{\text{Inches}}{\text{cm}}$



Moulding: LCP (Grey)
 Rating: UL94-VO
 2 Terminals: Brass Alloy or Phos. Bronze 90/10 Tin Plated
 Solderability: Per MIL-STD-202 Method 208

Note: All materials of construction minimum Class B 130 degrees C rated.