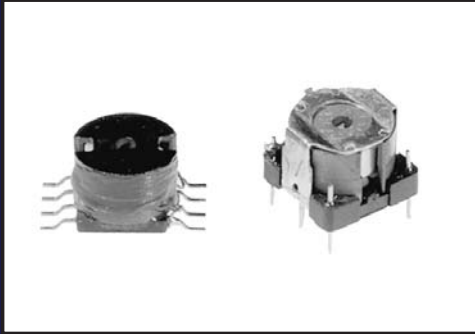


# TUNEABLE RF INDUCTORS

## WCM 201 Series



### PRODUCT DESCRIPTION

West Coast Magnetics' 201 series tuneable inductors are designed for use in resonant circuits with application frequencies of 1 MHz and above. These inductors feature exceptional accuracy and stability as well as excellent shielding characteristics. Surface mount and through hole pin configurations are available.

### FEATURES - BENEFITS



The 201 series tuneable inductors can also be supplied with a tap to meet your requirements • West Coast Magnetics can supply the inductors tuned to the precise inductance required by your application

Part Number	Inductance, (μH) Min	Inductance, (μH) Max	Inductance, (μH) Nom	Q Min	Test Frequency (MHz)
201-01	.90	1.08	0.99	117	10.0
201-02	1.25	1.50	1.38	115	10.0
201-03	1.60	1.92	1.76	113	10.0
201-04	2.07	2.49	2.28	146	5.5
201-05	2.50	2.95	2.75	144	5.5
201-06	3.02	3.62	3.32	137	5.5
201-07	3.60	4.32	3.96	128	5.5
201-08	4.23	5.07	4.65	126	5.5
201-09	4.91	5.94	5.40	119	5.5
201-10	5.64	6.76	6.20	115	5.5
201-11	6.41	7.67	7.04	113	5.5
201-12	7.23	8.67	7.95	106	5.5
201-13	8.11	9.71	8.91	104	5.5
201-14	9.04	10.82	9.93	97	5.5
201-15	10.01	11.99	11.00	94	5.5
201-16	11.04	13.22	12.13	146	3.2
201-17	12.11	14.51	13.31	142	3.2
201-18	13.24	15.86	14.55	140	3.2
201-19	14.41	17.27	15.84	135	3.2
201-20	15.64	18.74	17.19	131	3.2
201-21	18.25	21.85	20.05	128	3.2
201-22	21.05	25.21	23.13	122	3.2
201-23	24.05	28.81	26.43	117	3.2
201-24	27.25	32.65	29.95	108	3.2
201-25	30.66	36.72	33.69	101	3.2
201-26	34.26	41.04	37.65	155	2.0
201-27	38.07	45.56	41.83	149	2.0
201-28	42.07	50.39	46.23	142	2.0
201-29	46.27	55.43	50.85	140	2.0
201-30	50.68	60.70	55.69	135	2.0

Note: measurements made on HP 4342 Q meter.  
Q minimum measured at nominal inductance value.

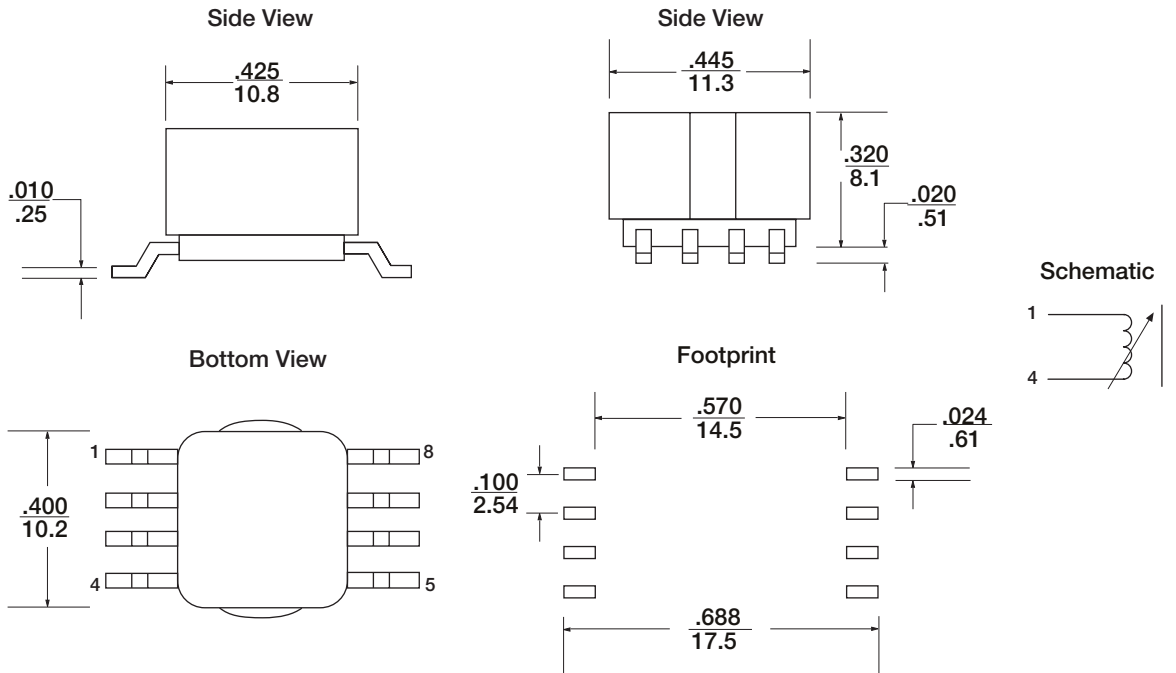


# TUNEABLE RF INDUCTORS

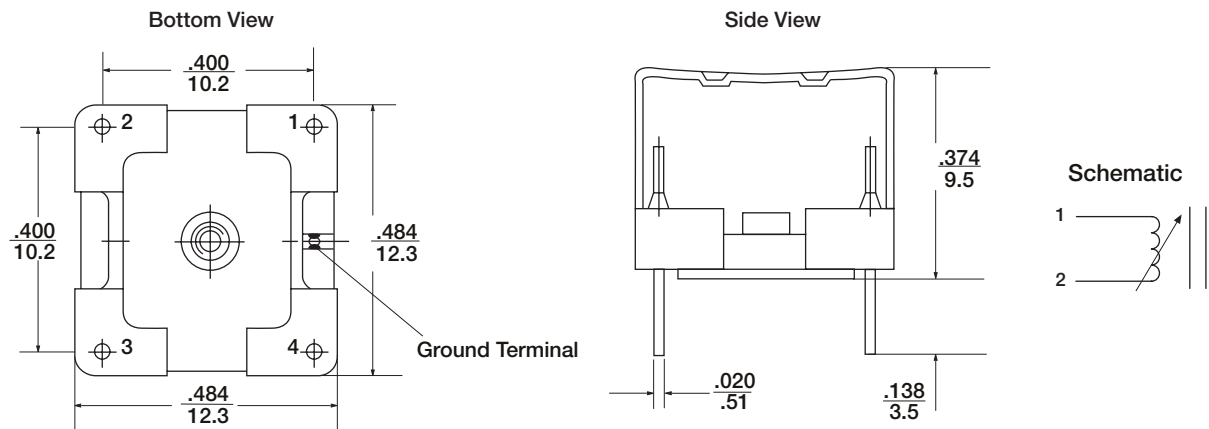
## WCM 201 Series

Dimensions:  $\frac{\text{Inches}}{\text{mm}}$

### Surface Mount



### Through Hole



Note: All materials of construction minimum Class B 130 degrees C rated.

